

Компания Полель - официальный  
дистрибьютор **SANYO**

[www.poulel.ru](http://www.poulel.ru)  
[www.sanyo-airservice.ru](http://www.sanyo-airservice.ru)

т. (495) 101-30-99

Кондиционеры  
Сплит-системы  
Полупромышленные кондиционеры  
Мультizonальные **VRF** системы кондиционирования  
Чиллеры



Parts List

FILE NO.

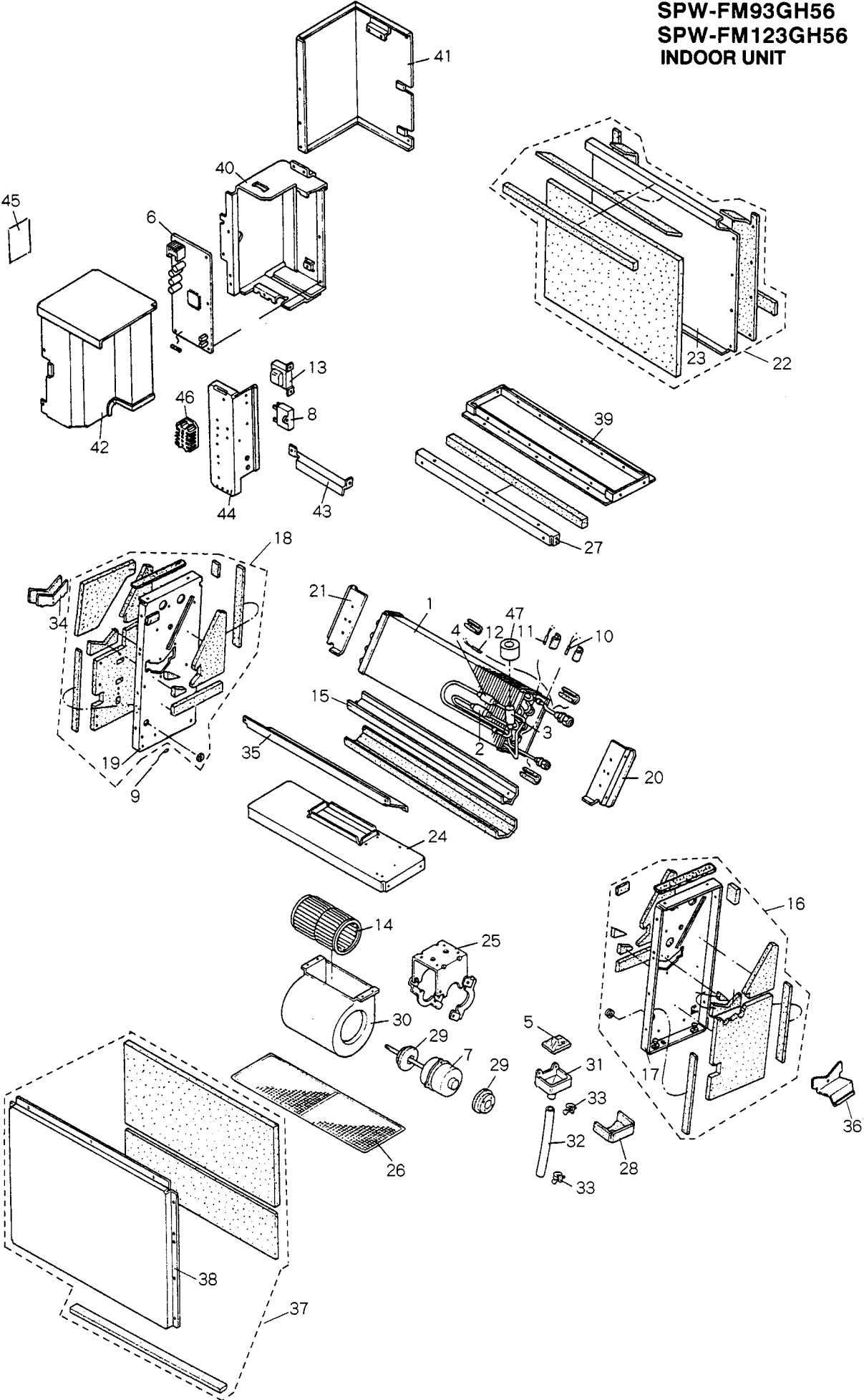
Air Conditioner

INDOOR UNIT

**SPW-FM93GH56**  
**SPW-FM123GH56**

INDOOR UNIT		APPLICABLE OUTDOOR UNIT	VOLT / PHASE / Hz
MODEL No.	PR. CODE No.	MODEL No.	
SPW-FM93GH56	854 012 81	SPW-C483GY8	IN : 220-240 / 1 / 50 OUT : 380-415 / 3N / 50
SPW-FM123GH56	854 012 82	SPW-C483GYH8	
		SPW-C703GY8	
		SPW-C703GYH8	
		SPW-C903GY8	
		SPW-C903GYH8	

**SPW-FM93GH56  
SPW-FM123GH56  
INDOOR UNIT**



**ATTENTION !**

To ensure correct parts supply, please let us know followings,  
when you make service parts order:

1. Part No. 2. Description 3. Q' ty 4. Volts-Hz-Ph 5. Product Model No.

Key No.	Part No.	Description	Q' ty	Reference No.
* 1	638 012 2196	Heat Exchanger Ass'y	1	854-0-4119-38300
* 2	623 102 1982	Strainer Ass'y	1	854-0-4522-12900
* 3	638 007 2682	Solenoid Control Valve IKV-24D12	1	854-2-4548-11800
* 4	623 102 1951	Strainer Ass'y	1	854-0-4522-13000
* 5	623 099 0180	Strainer	1	343-2-2348-13400
* 6	638 010 9074	P.C.B. Ass'y CR-X253GH	1	854-0-5178-09700
* 7	638 012 2219	Fan Motor Ass'y KFT6Q-11A3P	1	854-0-5202-15000
* 8	638 011 0148	Fixed Capacitor 440V/1.0MF	1	4-2239-57220
* 9	638 011 6751	Thermistor (Indoor Air) KTEC-35-S6	1	854-0-5259-11500
* 10	638 012 2141	Thermistor (Indoor Coil) PBC-41E-S35	1	854-0-5259-12300
* 11	638 013 7800	Thermistor (Indoor Coil) PBC-41E-S35	1	854-0-5259-14100
* 12	638 012 2165	Thermistor (Indoor Coil) PBC-41E-S25	1	854-0-5259-13300
* 13	638 011 6775	Transformer Ass'y ATR-11215TB	1	854-0-5263-05400
* 14	623 005 2314	Centrifugal Fan Ass'y	1	343-0-2506-11300
* 15	623 099 1057	Drain Pan	1	343-2-2302-27901
16	638 013 7626	Frame Ass'y (incl No. 17)	1	854-0-2202-17100
17	623 113 6792	Frame Ass'y	1	854-0-2202-14801
18	638 013 7633	Frame Ass'y (incl No. 19)	1	854-0-2202-17200
19	623 113 6785	Frame Ass'y	1	854-0-2202-14701
20	623 113 6822	Mounting Plate, Evaporator	1	854-2-2303-26200
21	623 113 6839	Mounting Plate, Evaporator	1	854-2-2303-26300
22	638 013 7817	Rear Cover (incl No. 23)	1	343-2-2204-28300
23	623 114 5985	Rear Cover	1	343-2-2204-23301
24	623 113 6846	Partition Plate Ass'y	1	854-0-2516-16601
25	623 005 2451	Motor Base Ass'y	1	343-0-2511-11601
26	638 013 7824	Frame Filter Ass'y	1	854-0-1302-22600
27	623 114 5992	Angle	1	343-2-2306-38801
28	623 113 6990	Insulation, Drain Pan	1	343-2-2417-55200
29	623 007 2800	Cushion Rubber	2	343-2-2522-10800
30	623 005 2550	Fan Casing Ass'y	1	343-0-2513-10800
31	623 099 0364	Drain Pan Second	1	343-2-2304-10400
32	623 123 3477	Drain Hose	1	854-2-4297-13400
33	623 028 0229	Band Mounting	2	821-2-8206-10102
34	623 099 0340	Stopper	1	343-2-2338-11700
35	623 113 6853	Mounting Plate, Evaporator	1	854-2-2303-26401
36	638 009 9511	Mounting Plate	1	854-2-2361-23501
37	638 013 7848	Front Panel (incl No. 38)	1	343-2-1102-31300
38	623 114 6050	Front Panel	1	343-2-1102-25501
39	623 114 5961	Flange Supply Ass'y	1	343-0-1352-13001
40	638 013 7749	Elec. Component Box Ass'y	1	854-0-5301-67301
41	623 121 6265	Elec. Component Box Ass'y	1	854-0-5301-48200
42	623 121 6289	Cover Plate Ass'y	1	854-0-5304-12901
43	623 121 9846	Mounting Plate Ass'y	1	854-2-2208-26300
44	638 011 6836	Elec. Component Box Ass'y	1	854-0-5301-69101
45	638 013 7831	Elec Wiring Diagram	1	854-2-5268-55900
46	638 010 8183	Terminal Base	1	1FJ-4-J3A0-02200
47	638 010 7247	Magnetic Coil DKV-MOZS550E0	1	1FJ-4-L8A0-01000
48	638 010 9395	Operation Manual	1	854-6-4189-10900

NOTE: Metal and plastic parts will be supplied basically with necessary heat insulation pads or packing.  
Each key number with an asterisk (\*) means the recommended service parts.

**ATTENTION !**

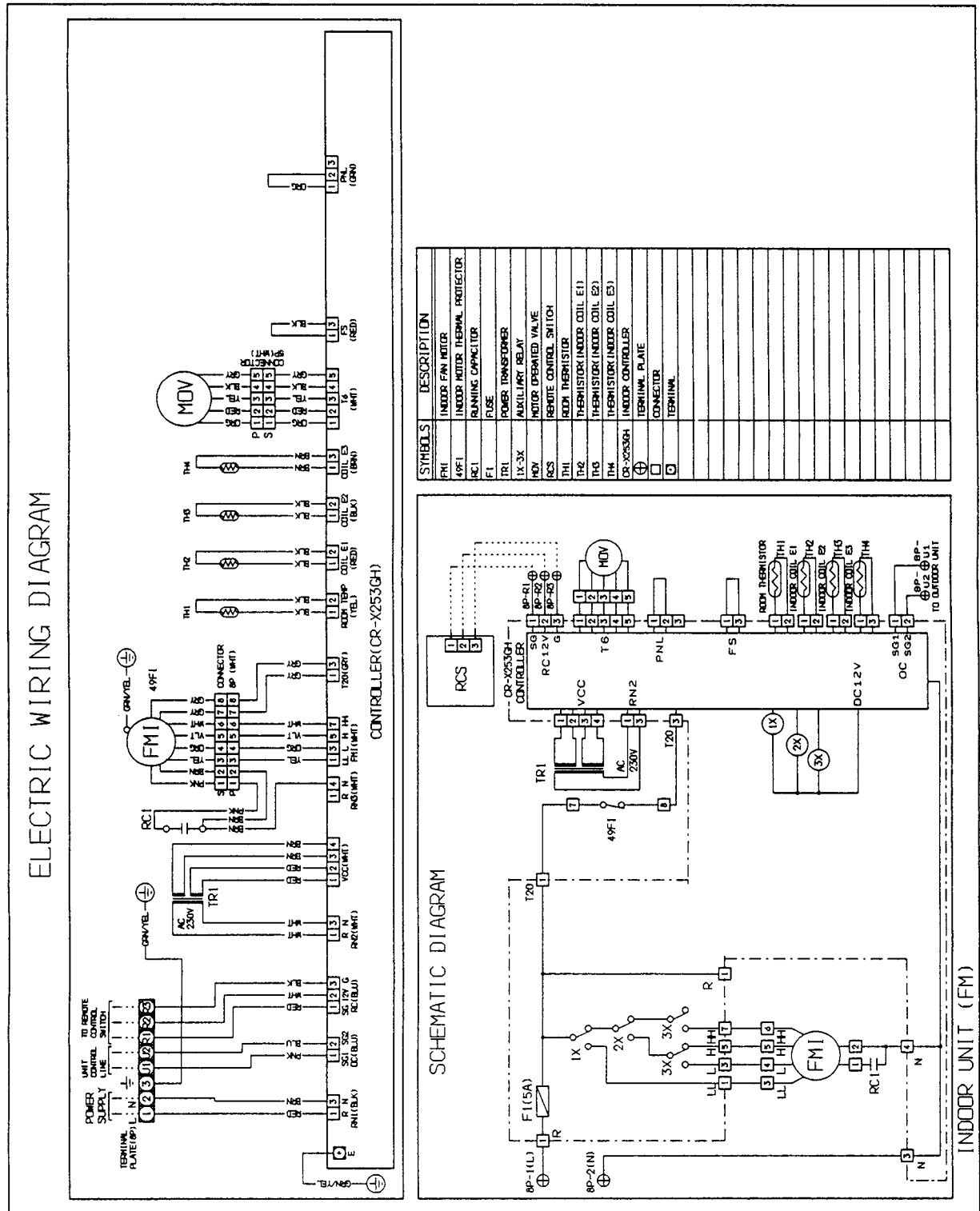
To ensure correct parts supply, please let us know followings.  
when you make service parts order:

1. Part No. 2. Description 3. Q' ty 4. Volts-Hz-Ph 5. Product Model No.

Key No.	Part No.	Description	Q' ty	Reference No.
* 1	638 012 2196	Heat Exchanger Ass'y	1	854-0-4119-38300
* 2	623 102 1982	Strainer Ass'y	1	854-0-4522-12900
* 3	638 007 2682	Solenoid Control Valve IKV-24D12	1	854-2-4548-11800
* 4	623 102 1951	Strainer Ass'y	1	854-0-4522-13000
* 5	623 099 0180	Strainer	1	343-2-2348-13400
* 6	638 010 9074	P.C.B. Ass'y CR-X253GH	1	854-0-5178-09700
* 7	638 012 2226	Fan Motor Ass'y KFT4Q-21B3P	1	854-0-5202-15100
* 8	623 096 2583	Fixed Capacitor 440V/2.0MF	1	4-2239-56159
* 9	638 011 6751	Thermistor (Indoor Air) KTEC-35-S6	1	854-0-5259-11500
* 10	638 012 2141	Thermistor (Indoor Coil) PBC-41E-S35	1	854-0-5259-12300
* 11	638 013 7800	Thermistor (Indoor Coil) PBC-41E-S35	1	854-0-5259-14100
* 12	638 012 2165	Thermistor (Indoor Coil) PBC-41E-S25	1	854-0-5259-13300
* 13	638 011 6775	Transformer Ass'y ATR-II215TB	1	854-0-5263-05400
* 14	623 005 2314	Centrifugal Fan Ass'y	1	343-0-2506-11300
* 15	623 099 1057	Drain Pan	1	343-2-2302-27901
16	638 013 7626	Frame Ass'y (incl No. 17)	1	854-0-2202-17100
17	623 113 6792	Frame Ass'y	1	854-0-2202-14801
18	638 013 7633	Frame Ass'y (incl No. 19)	1	854-0-2202-17200
19	623 113 6785	Frame Ass'y	1	854-0-2202-14701
20	623 113 6822	Mounting Plate, Evaporator	1	854-2-2303-26200
21	623 113 6839	Mounting Plate, Evaporator	1	854-2-2303-26300
22	638 013 7817	Rear Cover (incl No. 23)	1	343-2-2204-28300
23	623 114 5985	Rear Cover	1	343-2-2204-23301
24	623 113 6846	Partition Plate Ass'y	1	854-0-2516-16601
25	623 005 2451	Motor Base Ass'y	1	343-0-2511-11601
26	638 013 7824	Frame Filter Ass'y	1	854-0-1302-22600
27	623 114 5992	Angle	1	343-2-2306-38801
28	623 113 6990	Insulation, Drain Pan	1	343-2-2417-55200
29	623 007 2800	Cushion Rubber	2	343-2-2522-10800
30	623 005 2550	Fan Casing Ass'y	1	343-0-2513-10800
31	623 099 0364	Drain Pan Second	1	343-2-2304-10400
32	623 123 3477	Drain Hose	1	854-2-4297-13400
33	623 028 0229	Band Mounting	2	821-2-8206-10102
34	623 099 0340	Stopper	1	343-2-2338-11700
35	623 113 6853	Mounting Plate, Evaporator	1	854-2-2303-26401
36	638 009 9511	Mounting Plate	1	854-2-2361-23501
37	638 013 7848	Front Panel (incl No. 38)	1	343-2-1102-31300
38	623 114 6050	Front Panel	1	343-2-1102-25501
39	623 114 5961	Flange Supply Ass'y	1	343-0-1352-13001
40	638 013 7749	Elec. Component Box Ass'y	1	854-0-5301-67301
41	623 121 6265	Elec. Component Box Ass'y	1	854-0-5301-48200
42	623 121 6289	Cover Plate Ass'y	1	854-0-5304-12901
43	623 121 9846	Mounting Plate Ass'y	1	854-2-2208-26300
44	638 011 6836	Elec. Component Box Ass'y	1	854-0-5301-69101
45	638 013 7831	Elec Wiring Diagram	1	854-2-5268-55900
46	638 010 8183	Terminal Base	1	1FJ-4-J3A0-02200
47	638 010 7247	Magnetic Coil DKV-MOZS550E0	1	1FJ-4-L8A0-01000
48	638 010 9395	Operation Manual	1	854-6-4189-10900

NOTE: Metal and plastic parts will be supplied basically with necessary heat insulation pads or packing.  
Each key number with an asterisk (\*) means the recommended service parts.

# ELECTRIC WIRING DIAGRAM



# SANYO

SANYO Electric Co., Ltd.  
Osaka, Japan

T0997 Ⓐ 300 Printed in Japan