

Компания Полель - официальный
дистрибьютор **SANYO**

www.poulel.ru
www.sanyo-airservice.ru

т. (495) 101-30-99

Кондиционеры
Сплит-системы
Полупромышленные кондиционеры
Мультizonальные **VRF** системы кондиционирования
Чиллеры



Parts List

FILE NO.

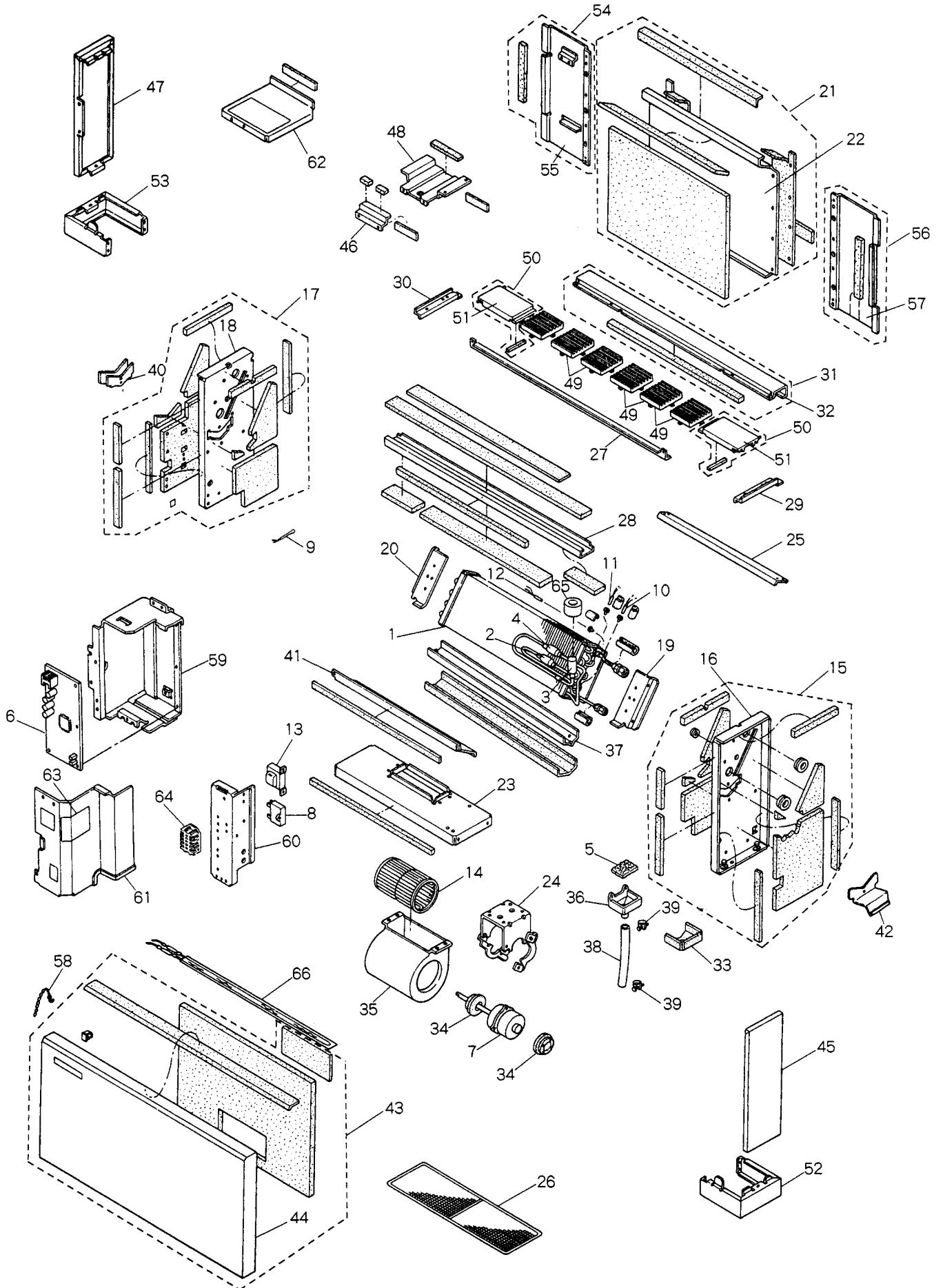
Air Conditioner

INDOOR UNIT

SPW-F93GH56
SPW-F123GH56

INDOOR UNIT		APPLICABLE OUTDOOR UNIT	VOLT / PHASE / Hz
MODEL No.	PR. CODE No.	MODEL No.	
SPW-F93GH56	854 012 77	SPW-C483GY8	IN : 220-240 / 1 / 50
SPW-F123GH56	854 012 78	SPW-C483GYH8	OUT : 380-415 / 3N / 50
		SPW-C703GY8	
		SPW-C703GYH8	
		SPW-C903GY8	
		SPW-C903GYH8	

**SPW-F93GH56
SPW-F123GH56
INDOOR UNIT**



ATTENTION !

To ensure correct parts supply, please let us know followings,
when you make service parts order:

1. Part No. 2. Description 3. Q' ty 4. Volts-Hz-Ph 5. Product Model No.

Key No.	Part No.	Description	Q' ty	Reference No.
* 1	638 012 2196	Heat Exchanger Ass'y	1	854-0-4119-38300
* 2	623 102 1982	Strainer Ass'y	1	854-0-4522-12900
* 3	638 007 2682	Solenoid Control Valve IKV-24D12	1	854-2-4548-11800
* 4	623 102 1951	Strainer Ass'y	1	854-0-4522-13000
* 5	623 099 0180	Strainer	1	343-2-2348-13400
* 6	638 010 9074	P. C. B. Ass'y CR-X253GH	1	854-0-5178-09700
* 7	638 012 2219	Fan Motor Ass'y KFT6Q-11A3P	1	854-0-5202-15000
* 8	638 011 0148	Fixed Capacitor 440V/1.0MF	1	4-2239-57220
* 9	638 011 6751	Thermistor (Indoor Air) KTEC-35-S6	1	854-0-5259-11500
* 10	638 012 2141	Thermistor (Indoor Coil) PBC-41E-S35	1	854-0-5259-12300
* 11	638 013 7800	Thermistor (Indoor Coil) PBC-41E-S35	1	854-0-5259-14100
* 12	638 012 2165	Thermistor (Indoor Coil) PBC-41E-S25	1	854-0-5259-13300
* 13	638 011 6775	Transformer Ass'y ATR-II215TB	1	854-0-5263-05400
* 14	623 005 2314	Centrifugal Fan Ass'y	1	343-0-2506-11300
15	638 013 7626	Frame Ass'y (incl No. 16)	1	854-0-2202-17100
16	623 113 6792	Frame Ass'y	1	854-0-2202-14801
17	638 013 7633	Frame Ass'y (incl No. 18)	1	854-0-2202-17200
18	623 113 6785	Frame Ass'y	1	854-0-2202-14701
19	623 113 6822	Mounting Plate, Evaporator	1	854-2-2303-26200
20	623 113 6839	Mounting Plate, Evaporator	1	854-2-2303-26300
21	638 013 7862	Rear Cover (incl No. 22)	1	343-2-2204-28100
22	623 099 0951	Rear Cover	1	343-2-2204-22701
23	623 113 6846	Partition Plate Ass'y	1	854-0-2516-16601
24	623 005 2451	Motor Base Ass'y	1	343-0-2511-11601
25	623 113 7096	Mounting Plate Ass'y	1	854-2-2208-25501
26	638 013 7824	Frame Filter Ass'y	1	854-0-1302-22600
27	623 132 8050	Angle Flange	1	854-2-2306-23601
28	623 132 8067	Angle Flange	1	854-2-2306-23101
29	623 099 0630	Angle	1	343-2-2306-36301
30	623 099 0647	Angle	1	343-2-2306-36401
31	638 013 7879	Angle (incl No. 32)	1	343-2-2306-45700
32	623 113 7157	Angle	1	343-2-2306-36602
33	623 113 6990	Insulation, Drain Pan	1	343-2-2417-55200
34	623 007 2800	Cushion Rubber	2	343-2-2522-10800
35	623 005 2550	Fan Casing Ass'y	1	343-0-2513-10800
36	623 099 0364	Drain Pan Second	1	343-2-2304-10400
* 37	623 099 1057	Drain Pan	1	343-2-2302-27901
38	623 123 3477	Drain Hose	1	854-2-4297-13400
39	623 028 0229	Band Mounting	2	821-2-8206-10102
40	623 099 0340	Stopper	1	343-2-2338-11700
41	623 113 6853	Mounting Plate, Evaporator	1	854-2-2303-26401
42	638 009 9511	Mounting Plate	1	854-2-2361-23501
43	638 013 7886	Front Panel Ass'y (incl No. 44)	1	854-0-1101-50000
44	638 013 7893	Front Panel Ass'y	1	854-0-1101-48501
45	623 099 0234	Side Panel	1	343-2-1103-15201
46	623 132 7992	Mounting Plate	1	854-2-1129-77801
47	623 113 6693	Side Panel	1	854-2-1102-41801
48	623 132 7978	Mounting Plate	1	854-2-1129-77901
49	623 113 6662	Grill Supply	6	343-2-1503-10602
50	638 013 7695	Cover, Switch (incl No. 51)	2	343-2-1116-10900

NOTE: Metal and plastic parts will be supplied basically
with necessary heat insulation pads or packing.
Each key number with an asterisk (*) means the
recommended service parts.

ATTENTION !

To ensure correct parts supply, please let us know followings,
when you make service parts order:

1. Part No. 2. Description 3. Q' ty 4. Volts-Hz-Ph 5. Product Model No.

Key No.	Part No.	Description	Q' ty	Reference No.
51	623 099 0210	Cover, Switch	2	343-2-1116-10600
52	623 099 0654	Base	1	343-2-2309-12001
53	638 013 7701	Bottom Plate	1	854-2-2227-38101
54	638 013 7725	Rear Panel Ass'y (incl No. 55)	1	854-0-1103-19800
55	638 013 7718	Rear Panel Ass'y	1	854-0-1103-15001
56	638 013 7732	Rear Panel (incl No. 57)	1	854-2-1103-26600
57	623 113 6716	Rear Panel	1	854-2-1103-20000
58	623 066 8584	Mounting Parts Ass'y	1	854-0-1111-14100
59	638 013 7749	Elec. Component Box Ass'y	1	854-0-5301-67301
60	638 011 6836	Elec. Component Box Ass'y	1	854-0-5301-69101
61	638 011 6843	Cover Plate	1	854-2-5304-46001
62	623 113 6914	Cover Plate	1	854-2-5304-35000
63	638 013 7756	Elec Wiring Diagram	1	854-2-5268-55800
64	638 010 8183	Terminal Base	1	1FJ-4-J3A0-02200
65	638 010 7247	Magnetic Coil DKV-MOZS550E0	1	1FJ-4-L8A0-01000
66	638 013 7909	Heater Ass'y 240V, 6W	1	854-0-5255-05100
67	638 010 9395	Operation Manual	1	854-6-4189-10900

NOTE: Metal and plastic parts will be supplied basically
with necessary heat insulation pads or packing.
Each key number with an asterisk (*) means the
recommended service parts.

ATTENTION !

To ensure correct parts supply, please let us know followings,
when you make service parts order:

1. Part No. 2. Description 3. Q' ty 4. Volts-Hz-Ph 5. Product Model No.

Key No.	Part No.	Description	Q' ty	Reference No.
* 1	638 012 2196	Heat Exchanger Ass'y	1	854-0-4119-38300
* 2	623 102 1982	Strainer Ass'y	1	854-0-4522-12900
* 3	638 007 2682	Solenoid Control Valve IKV-24D12	1	854-2-4548-11800
* 4	623 102 1951	Strainer Ass'y	1	854-0-4522-13000
* 5	623 099 0180	Strainer	1	343-2-2348-13400
* 6	638 010 9074	P. C. B. Ass'y CR-X253GH	1	854-0-5178-09700
* 7	638 012 2226	Fan Motor Ass'y KFT4Q-21B3P	1	854-0-5202-15100
* 8	623 096 2583	Fixed Capacitor 440V/2.0MF	1	4-2239-56159
* 9	638 011 6751	Thermistor (Indoor Air) KTEC-35-S6	1	854-0-5259-11500
* 10	638 012 2141	Thermistor (Indoor Coil) PBC-41E-S35	1	854-0-5259-12300
* 11	638 013 7800	Thermistor (Indoor Coil) PBC-41E-S35	1	854-0-5259-14100
* 12	638 012 2165	Thermistor (Indoor Coil) PBC-41E-S25	1	854-0-5259-13300
* 13	638 011 6775	Transformer Ass'y ATR-11215TB	1	854-0-5263-05400
* 14	623 005 2314	Centrifugal Fan Ass'y	1	343-0-2506-11300
15	638 013 7626	Frame Ass'y (incl No. 16)	1	854-0-2202-17100
16	623 113 6792	Frame Ass'y	1	854-0-2202-14801
17	638 013 7633	Frame Ass'y (incl No. 18)	1	854-0-2202-17200
18	623 113 6785	Frame Ass'y	1	854-0-2202-14701
19	623 113 6822	Mounting Plate, Evaporator	1	854-2-2303-26200
20	623 113 6839	Mounting Plate, Evaporator	1	854-2-2303-26300
21	638 013 7862	Rear Cover (incl No. 22)	1	343-2-2204-28100
22	623 099 0951	Rear Cover	1	343-2-2204-22701
23	623 113 6846	Partition Plate Ass'y	1	854-0-2516-16601
24	623 005 2451	Motor Base Ass'y	1	343-0-2511-11601
25	623 113 7096	Mounting Plate Ass'y	1	854-2-2208-25501
26	638 013 7824	Frame Filter Ass'y	1	854-0-1302-22600
27	623 132 8050	Angle Flange	1	854-2-2306-23601
28	623 132 8067	Angle Flange	1	854-2-2306-23101
29	623 099 0630	Angle	1	343-2-2306-36301
30	623 099 0647	Angle	1	343-2-2306-36401
31	638 013 7879	Angle (incl No. 32)	1	343-2-2306-45700
32	623 113 7157	Angle	1	343-2-2306-36602
33	623 113 6990	Insulation, Drain Pan	1	343-2-2417-55200
34	623 007 2800	Cushion Rubber	2	343-2-2522-10800
35	623 005 2550	Fan Casing Ass'y	1	343-0-2513-10800
36	623 099 0364	Drain Pan Second	1	343-2-2304-10400
* 37	623 099 1057	Drain Pan	1	343-2-2302-27901
38	623 123 3477	Drain Hose	1	854-2-4297-13400
39	623 028 0229	Band Mounting	2	821-2-8206-10102
40	623 099 0340	Stopper	1	343-2-2338-11700
41	623 113 6853	Mounting Plate, Evaporator	1	854-2-2303-26401
42	638 009 9511	Mounting Plate	1	854-2-2361-23501
43	638 013 7886	Front Panel Ass'y (incl No. 44)	1	854-0-1101-50000
44	638 013 7893	Front Panel Ass'y	1	854-0-1101-48501
45	623 099 0234	Side Panel	1	343-2-1103-15201
46	623 132 7992	Mounting Plate	1	854-2-1129-77801
47	623 113 6693	Side Panel	1	854-2-1102-41801
48	623 132 7978	Mounting Plate	1	854-2-1129-77901
49	623 113 6662	Grill Supply	6	343-2-1503-10602
50	638 013 7695	Cover, Switch (incl No. 51)	2	343-2-1116-10900

NOTE: Metal and plastic parts will be supplied basically
with necessary heat insulation pads or packing.
Each key number with an asterisk (*) means the
recommended service parts.

ATTENTION !

To ensure correct parts supply, please let us know followings,
when you make service parts order:

1. Part No. 2. Description 3. Q' ty 4. Volts-Hz-Ph 5. Product Model No.

Key No.	Part No.	Description	Q' ty	Reference No.
51	623 099 0210	Cover, Switch	2	343-2-1116-10600
52	623 099 0654	Base	1	343-2-2309-12001
53	638 013 7701	Bottom Plate	1	854-2-2227-38101
54	638 013 7725	Rear Panel Ass'y (incl No. 55)	1	854-0-1103-19800
55	638 013 7718	Rear Panel Ass'y	1	854-0-1103-15001
56	638 013 7732	Rear Panel (incl No. 57)	1	854-2-1103-26600
57	623 113 6716	Rear Panel	1	854-2-1103-20000
58	623 066 8584	Mounting Parts Ass'y	1	854-0-1111-14100
59	638 013 7749	Elec. Component Box Ass'y	1	854-0-5301-67301
60	638 011 6836	Elec. Component Box Ass'y	1	854-0-5301-69101
61	638 011 6843	Cover Plate	1	854-2-5304-46001
62	623 113 6914	Cover Plate	1	854-2-5304-35000
63	638 013 7756	Elec Wiring Diagram	1	854-2-5268-55800
64	638 010 8183	Terminal Base	1	1FJ-4-J3A0-02200
65	638 010 7247	Magnetic Coil DKV-MOZS550E0	1	1FJ-4-L8A0-01000
66	638 013 7909	Heater Ass'y 240V, 6W	1	854-0-5255-05100
67	638 010 9395	Operation Manual	1	854-6-4189-10900

NOTE: Metal and plastic parts will be supplied basically
with necessary heat insulation pads or packing.
Each key number with an asterisk (*) means the
recommended service parts.

ELECTRIC WIRING DIAGRAM

ELECTRIC WIRING DIAGRAM

