

Компания Полель - официальный
дистрибьютор **SANYO**

www.poulel.ru
www.sanyo-airservice.ru

т. (495) 101-30-99

Кондиционеры
Сплит-системы
Полупромышленные кондиционеры
Мультizonальные **VRF** системы кондиционирования
Чиллеры



FILE NO.

INDOOR UNIT

SPW-U363GH56

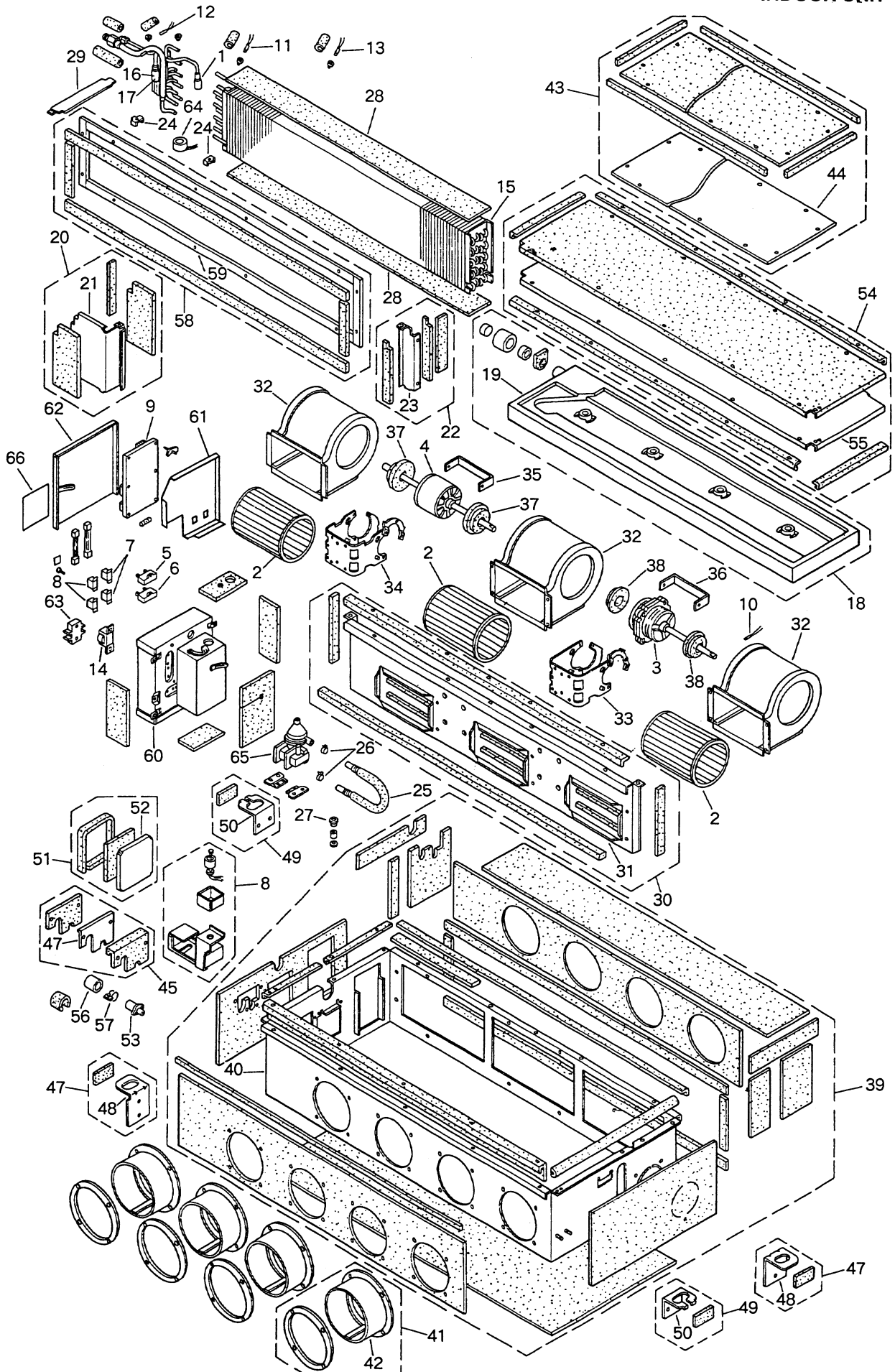
SPW-U483GH56

INDOOR UNIT		APPLICABLE OUTDOOR UNIT	VOLT / ϕ / Hz
MODEL No.	PR. CODE No.	MODEL No.	
SPW-U363GH56	854 011 54	SPW-C703/903GY8 SPW-C703/903GYH8	IN : 220-240 / 1 / 50
SPW-U483GH56	854 011 55	SPW-C363/483GH8	OUT : 380-415 / 3 / 50

CONTENTS

■ EXPLODED VIEW	2
● Indoor Unit	
SPW-U363GH56	2
SPW-U483GH56	2
■ PARTS LIST	3
● Indoor Unit	
SPW-U363GH56	3, 4
SPW-U483GH56	3, 4
■ ELECTRIC WIRING DIAGRAM	5

SPW-U363GH56
 SPW-U483GH56
 INDOOR UNIT



ATTENTION !

To ensure correct parts supply, please let us know followings,
 when you make service parts order:

1. Part No. 2. Description 3. Q' ty 4. Volts-Hz-Ph 5. Product Model No.

Key No.	Part No.	Description	Q' ty	Reference No.
* 1	638 010 8251	Solenoid Control Valve HKV-30D16	1	854-2-4548-11900
* 2	638 007 0527	Centrifugal Fan Ass'y	3	854-0-2501-22700
* 3	638 002 8092	Fan Motor Ass'y KFG4X-101B5PA	1	854-0-5202-00900
* 4	638 002 8108	Fan Motor Ass'y KFC4X-161B5P	1	854-0-5202-01000
* 5	623 094 3339	Fixed Capacitor UPMDD-440V-3.5MF	1	4-2239-56162
* 6	638 003 6530	Fixed Capacitor UPMDD-440V-6.0MF	1	4-2239-56166
* 7	638 010 7803	Relay HH62S/085	4	1FJ-4-S2A0-01300
* 8	623 120 9878	Switch Ass'y FS-3502-202	1	851-0-5152-29100
* 9	638 010 9074	P. C. B. Ass'y CR-X253GH	1	854-0-5178-09700
* 10	638 011 8274	Thermistor (Indoor Air) KTEC-35-S6	1	854-0-5259-11400
* 11	638 010 9135	Thermistor (Indoor Coil) PBC-41E-S36	1	854-0-5259-12000
* 12	638 011 6348	Thermistor (Indoor Coil) PB3M-41E-S25	1	854-0-5259-12800
* 13	638 010 9111	Thermistor (Indoor Coil) PBC-41E-S36	1	854-0-5259-13900
* 14	638 011 6775	Transformer Ass'y ATR-1I215TB	1	854-0-5263-05400
* 15	638 010 9913	Heat Exchanger Ass'y	1	854-0-4119-32600
* 16	638 006 3246	Strainer Ass'y	1	854-0-4522-17000
* 17	623 101 8968	Strainer Ass'y	1	854-0-4522-13100
* 18	623 117 7368	Drain Pan Ass'y (incl. No.19)	1	854-0-2301-396H1
* 19	623 112 5673	Drain Pan Ass'y	1	854-0-2301-39600
20	623 117 6927	Mounting Plate, Evaporator incl.No.22	1	854-2-2303-258H1
21	623 112 4119	Mounting Plate, Evaporator	1	854-2-2303-25801
22	623 117 6934	Mounting Plate, Evaporator incl.No.24	1	854-2-2303-259H1
23	623 112 4126	Mounting Plate, Evaporator	1	854-2-2303-25901
24	623 112 4249	Mounting Plate	2	854-2-2360-78001
25	623 101 8999	Drain Pipe Ass'y	1	854-0-4297-12900
26	623 077 2205	Clip	2	854-2-2315-10301
27	623 101 9378	Cushion Rubber	4	854-2-2318-13300
28	638 006 3253	Insulation, Evaporator	2	854-2-2404-28700
29	623 112 5611	Mounting Plate Ass'y	1	854-0-2323-37201
30	638 007 3221	Partition Plate Ass'y (incl. No.31)	1	854-0-2516-202H1
31	638 007 3214	Partition Plate Ass'y	1	854-0-2516-20201
32	638 007 3207	Fan Casing Ass'y	3	854-0-2502-24101
33	623 112 4355	Support Motor Ass'y	1	854-0-2511-20301
34	623 112 5192	Support Motor Ass'y	1	854-0-2511-20401
35	638 005 9621	Mounting Plate	1	854-2-2518-38500
36	623 103 4722	Mounting Plate	1	854-2-2360-68401
37	623 103 5873	Cushion Rubber	2	854-2-2534-14800
38	638 005 4282	Cushion Rubber	2	854-2-2534-16400
39	638 006 3260	Cabinet Ass'y (incl. No.40)	1	854-0-1104-211H1
40	623 127 7143	Cabinet Ass'y	1	854-0-1104-21101
41	623 117 7030	Flange Ass'y, Duct (incl. No.42)	4	854-0-2306-224H1
42	623 112 4898	Flange Ass'y, Duct	4	854-0-2306-22401
43	623 117 7399	Top Cover (incl. No.44)	1	854-2-1106-296H1
44	623 121 0379	Top Cover	1	854-2-1106-29601
45	623 117 7085	Mounting Plate (incl. No.46)	1	854-2-1129-638H1
46	623 112 4287	Mounting Plate	1	854-2-1129-63801
47	638 006 5004	Hook Plate (incl. No.48)	2	854-0-1111-189H1
48	638 006 4991	Hook Plate	2	854-0-1111-18901
49	638 005 9607	Hook Plate (incl. No.50)	2	854-2-1130-210H1
50	638 005 9614	Hook Plate	2	854-2-1130-21001

NOTE: Metal and plastic parts will be supplied basically
 with necessary heat insulation pads or packing.
 Each key number with an asterisk (*) means the
 recommended service parts.

ATTENTION !

To ensure correct parts supply, please let us know followings,
 when you make service parts order:

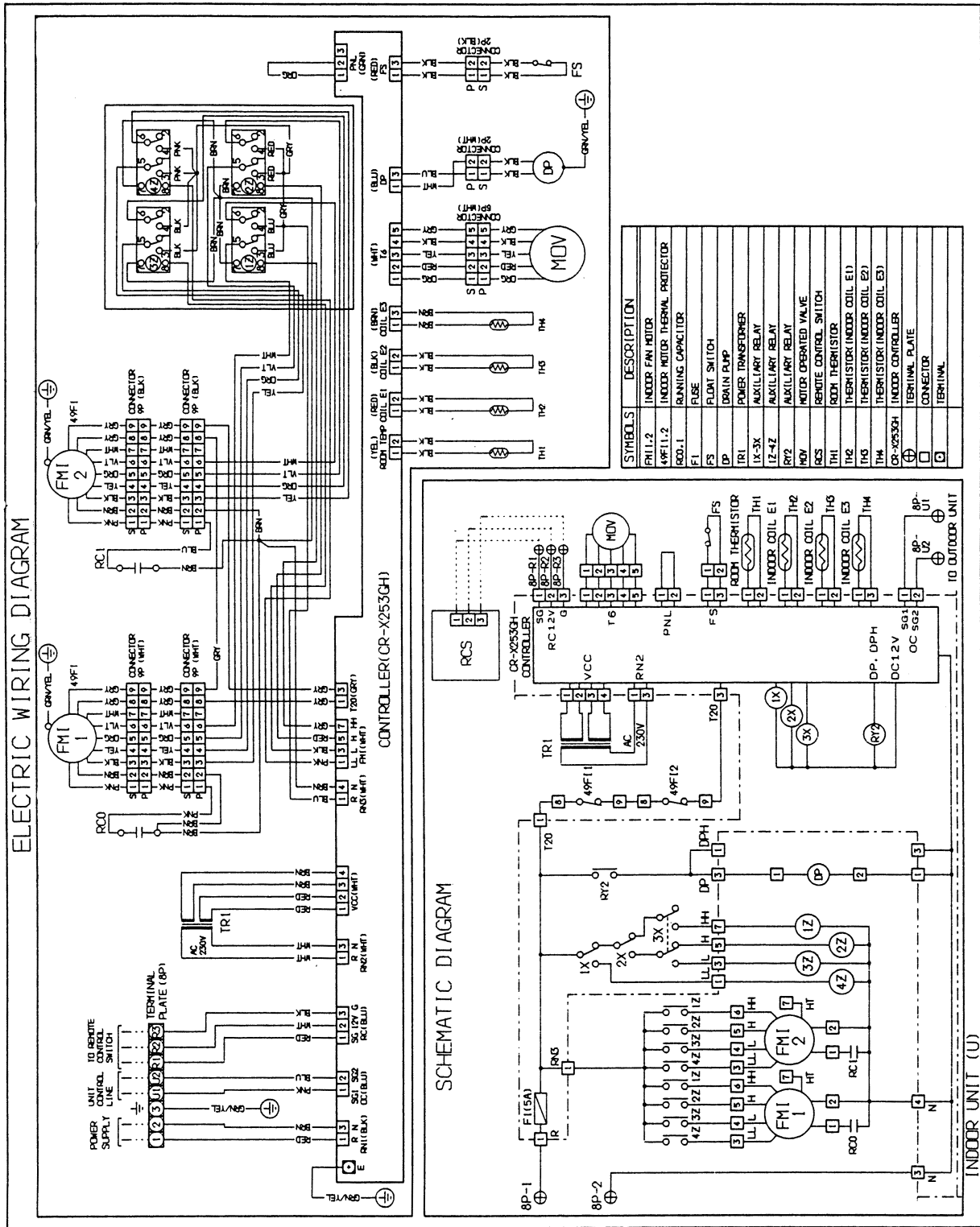
1. Part No. 2. Description 3. Q' ty 4. Volts-Hz-Ph 5. Product Model No.

Key No.	Part No.	Description	Q' ty
51	623 117 6972	Cover Plate (incl. No. 52)	1
52	623 112 4294	Cover Plate	1
53	623 111 3717	Joint Drain	1
54	623 117 7382	Cover Plate (incl. No. 55)	1
55	623 112 5574	Cover Plate	1
56	623 101 9170	Joint Drain	1
57	638 006 2607	Hose Band	1
58	623 117 7351	Flange Ass'y, Duct (incl No. 59)	1
59	638 002 8139	Flange Ass'y, Duct	1
60	638 011 8304	Elec. Component Box Ass'y	1
61	638 011 8298	Mounting Plate	1
62	623 120 9885	Cover Plate	1
63	638 010 8183	Terminal Base	1
64	638 010 7698	Solenoid EKV-MOZS559E0	1
65	638 011 8489	Drain Pump Ass'y WP20SL-9	1
66	638 011 8670	Elec Wiring Diagram	1
67	638 010 9395	Operation Manual	1

Reference No.
854-2-2307-139H1
854-2-2307-13901
854-2-2334-16500
854-2-2343-146H1
854-2-2343-14601
854-2-2334-15400
854-2-4294-11600
854-0-2306-219H1
854-0-2306-21901
854-0-5301-68901
854-2-5312-94401
854-2-5304-38001
1FJ-4-J3A0-02200
1FJ-4-L8A0-01100
854-0-5264-02400
854-2-5268-42000
854-6-4189-10900

NOTE: Metal and plastic parts will be supplied basically
 with necessary heat insulation pads or packing.
 Each key number with an asterisk (*) means the
 recommended service parts.

ELECTRIC WIRING DIAGRAM



SANYO Electric Co., Ltd.
Osaka, Japan

T0896 Ⓐ 300 Printed in Japan