

Компания Полель - официальный
дистрибьютор **SANYO**

www.poulel.ru
www.sanyo-airservice.ru

т. (495) 101-30-99

Кондиционеры
Сплит-системы
Полупромышленные кондиционеры
Мультizonальные **VRF** системы кондиционирования
Чиллеры



FILE NO.

INDOOR UNIT

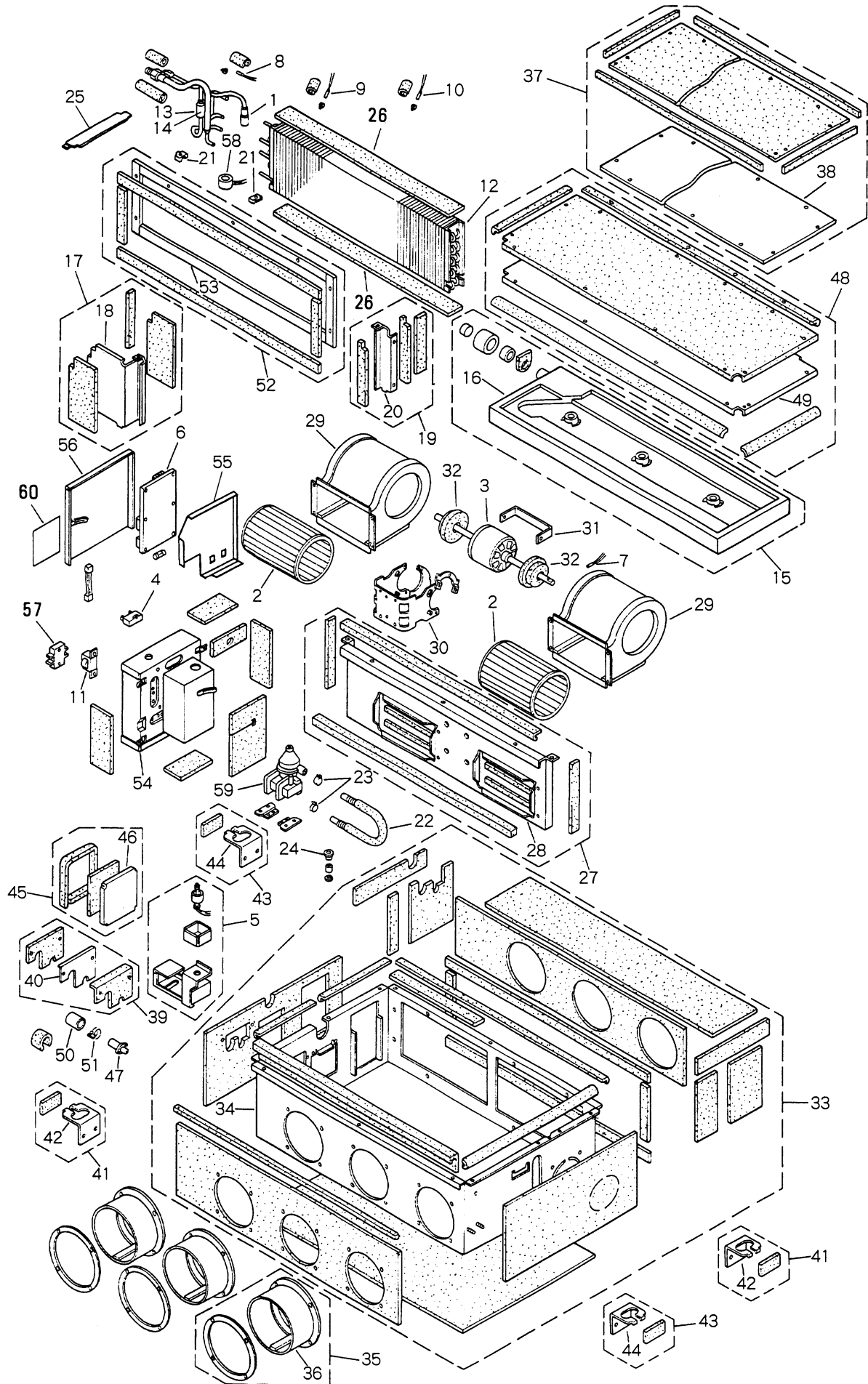
SPW-U253GH56

INDOOR UNIT		APPLICABLE OUTDOOR UNIT	VOLT / ϕ / Hz
MODEL No.	PR. CODE No.	MODEL No.	
SPW-U253GH56	854 011 53	SPW-C703GY8	IN : 220-240 / 1 / 50 OUT : 220-240 / 1 / 50 : 380-415 / 3 / 50
		SPW-C903GY8	
		SPW-C703GYH8	
		SPW-C903GYH8	
		SPW-C253GH5/GH8	

CONTENTS

■ EXPLODED VIEW	2
● Indoor Unit	
SPW-U253GH56	2
■ PARTS LIST	3
● Indoor Unit	
SPW-U253GH56	3, 4
■ ELECTRIC WIRING DIAGRAM	5

**SPW-U253GH56
INDOOR UNIT**



ATTENTION !

To ensure correct parts supply, please let us know followings,
when you make service parts order:

1. Part No. 2. Description 3. Q' ty 4. Volts-Hz-Ph 5. Product Model No.

Key No.	Part No.	Description	Q' ty	Reference No.
* 1	638 007 2682	Solenoid Control Valve IKV-24D12	1	854-2-4548-11800
* 2	638 007 0527	Centrifugal Fan Ass'y	2	854-0-2501-22700
* 3	638 002 9679	Fan Motor Ass'y KFC4X-101B5P	1	854-0-5202-00800
* 4	623 117 7474	Fixed Capacitor UPMDD-440V-4.5MF	1	4-2239-56164
* 5	623 120 9878	Switch Ass'y FS-3502-202	1	851-0-5152-29100
* 6	638 010 9074	P. C. B. Ass'y CR-X253GH	1	854-0-5178-09700
* 7	638 011 8274	Thermistor (Indoor Air) KTEC-35-S6	1	854-0-5259-11400
* 8	638 010 9135	Thermistor (Indoor Coil) PBC-41E-S36	1	854-0-5259-12000
* 9	638 011 6348	Thermistor (Indoor Coil) PB3M-41E-S25	1	854-0-5259-12800
* 10	638 010 9111	Thermistor (Indoor Coil) PBC-41E-S36	1	854-0-5259-13900
* 11	638 011 6775	Transformer Ass'y ATR-II215TB	1	854-0-5263-05400
* 12	638 005 9577	Heat Exchanger Ass'y	1	854-0-4119-17600
* 13	638 005 9300	Strainer Ass'y	1	854-0-4522-16700
* 14	623 102 1982	Strainer Ass'y	1	854-0-4522-12900
* 15	623 117 7054	Drain Pan Ass'y (incl. No.16)	1	854-0-2301-395H1
* 16	623 112 5215	Drain Pan Ass'y	1	854-0-2301-39500
17	623 117 6927	Mounting Plate, Evaporator incl.No.18	1	854-2-2303-258H1
18	623 112 4119	Mounting Plate, Evaporator	1	854-2-2303-25801
19	623 117 6934	Mounting Plate, Evaporator incl.No.20	1	854-2-2303-259H1
20	623 112 4126	Mounting Plate, Evaporator	1	854-2-2303-25901
21	623 112 4249	Mounting Plate	2	854-2-2360-78001
22	623 101 8999	Drain Pipe Ass'y	1	854-0-4297-12900
23	623 077 2205	Clip	2	854-2-2315-10301
24	623 101 9378	Cushion Rubber	4	854-2-2318-13300
25	623 112 4195	Mounting Plate Ass'y	1	854-0-2323-38201
26	638 006 3154	Insulation, Evaporator	2	854-2-2404-28600
27	638 007 3245	Partition Plate Ass'y (incl. No.28)	1	854-0-2516-201H1
28	638 007 3238	Partition Plate Ass'y	1	854-0-2516-20101
29	638 007 3207	Fan Casing Ass'y	2	854-0-2502-24101
30	623 112 5192	Support Motor Ass'y	1	854-0-2511-20401
31	638 005 9621	Mounting Plate	1	854-2-2518-38500
32	638 005 4282	Cushion Rubber	2	854-2-2534-16400
33	638 005 9638	Cabinet Ass'y (incl. No.34)	1	854-0-1104-210H1
34	623 127 7068	Cabinet Ass'y	1	854-0-1104-21001
35	623 117 7030	Flange Ass'y, Duct (incl. No.36)	3	854-0-2306-224H1
36	623 112 4898	Flange Ass'y, Duct	3	854-0-2306-22401
37	623 117 7108	Top Cover (incl. No.38)	1	854-2-1106-295H1
38	623 121 0225	Top Cover	1	854-2-1106-29501
39	623 117 7085	Mounting Plate (incl. No.40)	1	854-2-1129-638H1
40	623 112 4287	Mounting Plate	1	854-2-1129-63801
41	638 006 5004	Hook Plate (incl. No.42)	2	854-0-1111-189H1
42	638 006 4991	Hook Plate	2	854-0-1111-18901
43	638 005 9607	Hook Plate (incl. No.44)	2	854-2-1130-210H1
44	638 005 9614	Hook Plate	2	854-2-1130-21001
45	623 117 6972	Cover Plate (incl. No.46)	1	854-2-2307-139H1
46	623 112 4294	Cover Plate	1	854-2-2307-13901
47	623 111 3717	Joint Drain	1	854-2-2334-16500
48	623 117 7092	Cover Plate (incl. No.49)	1	854-2-2343-145H1
49	623 112 5123	Cover Plate	1	854-2-2343-14501
50	623 101 9170	Joint Drain	1	854-2-2334-15400

NOTE: Metal and plastic parts will be supplied basically
with necessary heat insulation pads or packing.
Each key number with an asterisk (*) means the
recommended service parts.

ATTENTION !

To ensure correct parts supply, please let us know followings,
when you make service parts order:

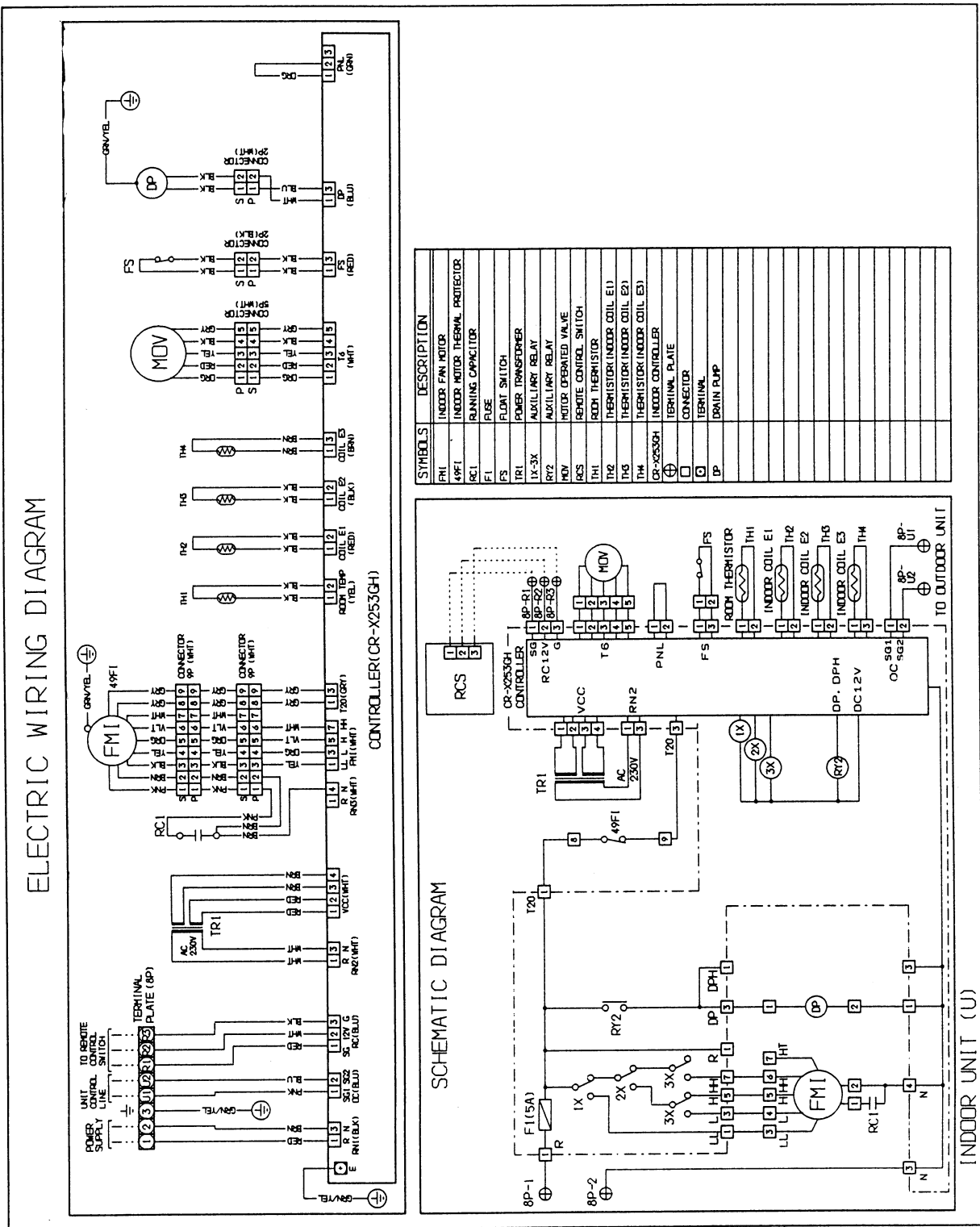
1. Part No. 2. Description 3. Q' ty 4. Volts-Hz-Ph 5. Product Model No.

Key No.	Part No.	Description	Q' ty
51	638 006 2607	Hose Band	1
52	623 117 7047	Flange Ass'y, Duct	1
53	638 003 0798	Flange Ass'y, Duct	1
54	638 011 8304	Elec. Component Box Ass'y	1
55	638 011 8298	Mounting Plate	1
56	623 120 9885	Cover Plate	1
57	638 010 8183	Terminal Base	1
58	638 010 7247	Solenoid DKV-MOZS550E0	1
59	638 011 8489	Drain Pump Ass'y WP20SL-9	1
60	638 011 8281	Elec Wiring Diagram	1
61	638 010 9395	Operation Manual	1

Reference No.
854-2-4294-11600
854-0-2306-218H1
854-0-2306-21801
854-0-5301-68901
854-2-5312-94401
854-2-5304-38001
1FJ-4-J3A0-02200
1FJ-4-L8A0-01000
854-0-5264-02400
854-2-5268-41900
854-6-4189-10900

NOTE: Metal and plastic parts will be supplied basically
with necessary heat insulation pads or packing.
Each key number with an asterisk (*) means the
recommended service parts.

ELECTRIC WIRING DIAGRAM



SANYO

SANYO Electric Co., Ltd.
Osaka, Japan

T0896 Ⓐ 300 Printed in Japan