

Компания Полель - официальный  
дистрибьютор **SANYO**

[www.poulel.ru](http://www.poulel.ru)  
[www.sanyo-airservice.ru](http://www.sanyo-airservice.ru)

т. (495) 101-30-99

Кондиционеры  
Сплит-системы  
Полупромышленные кондиционеры  
Мультizonальные **VRF** системы кондиционирования  
Чиллеры

## Parts List

### Air Conditioner

FILE NO.

INDOOR UNIT

SPW-T363GH56

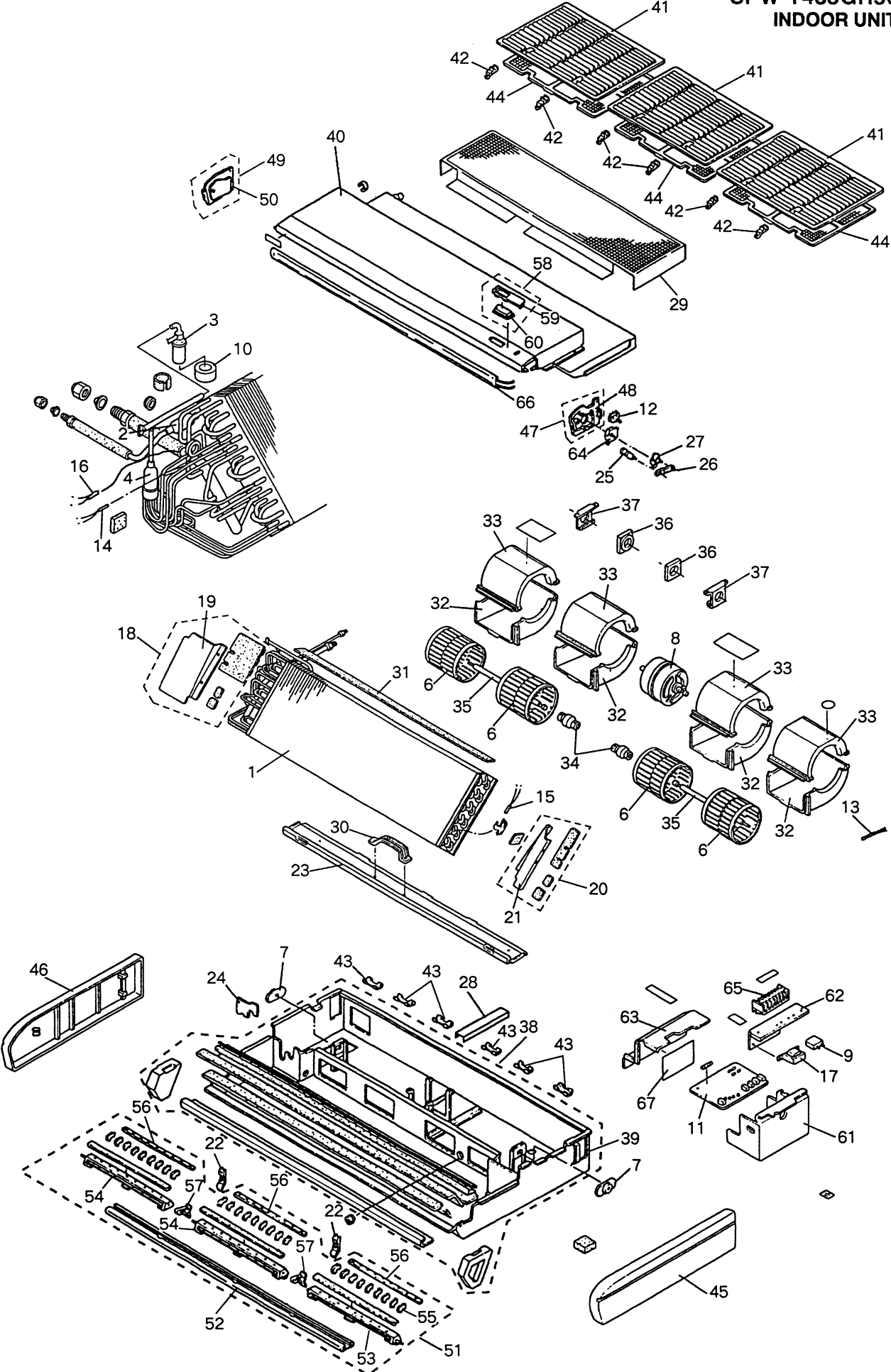
SPW-T483GH56

INDOOR UNIT		APPLICABLE OUTDOOR UNIT	VOLT / $\phi$ / Hz
MODEL No.	PR. CODE No.	MODEL No.	
SPW-T363GH56	854 011 45	SPW-C703/903GY8 SPW-C703/903GYH8	IN : 220-240 / 1 / 50
SPW-T483GH56	854 011 46	SPW-C363/483GH8	OUT : 380-415 / 3 / 50

## CONTENTS

■ EXPLODED VIEW .....	2
● Indoor Unit	
SPW-T363GH56 .....	2
SPW-T483GH56 .....	2
■ PARTS LIST .....	3
● Indoor Unit	
SPW-T363GH56 .....	3, 4
SPW-T483GH56 .....	5, 6
■ ELECTRIC WIRING DIAGRAM .....	7

**SPW-T363GH56  
SPW-T483GH56  
INDOOR UNIT**



**ATTENTION !**

To ensure correct parts supply, please let us know followings,  
when you make service parts order:

1. Part No. 2. Description 3. Q' ty 4. Volts-Hz-Ph 5. Product Model No.

Key No.	Part No.	Description	Q' ty	Reference No.
* 1	638 011 0520	Heat Exchanger Ass'y	1	854-0-4119-32200
* 2	623 101 8968	Strainer Ass'y	1	854-0-4522-13100
* 3	638 010 8251	Solenoid Control Valve	1	854-2-4548-11900
* 4	638 007 5607	Strainer Ass'y	1	854-0-4522-17100
* 5	623 102 8783	Drain Pan Ass'y	1	854-0-2301-37800
* 6	623 102 8462	Centrifugal Fan Ass'y	4	854-0-2501-20400
* 7	623 041 9971	Bearing Housing Ass'y	2	852-0-2510-11300
* 8	638 011 7994	Fan Motor Ass'y	1	854-0-5202-13900
* 9	623 121 5145	Fixed Capacitor UPMDD-440V/4. OMF	1	4-2239-56163
* 10	638 010 7698	Magnetic Coil EKV-MOZS559E	1	1FJ-4-L8A0-01100
* 11	638 010 9074	P. C. B. Ass'y CR-X253GH	1	854-0-5178-09700
* 12	638 002 5022	Switch Ass'y SS-01GL13-F	1	851-0-5257-02500
* 13	638 011 6751	Thermistor (Indoor Air) KTEC-35-S6	1	854-0-5259-11500
* 14	638 011 8007	Thermistor (Indoor Coil) PBC-41E	1	854-0-5259-12200
* 15	638 011 6768	Thermistor (Indoor Coil) PB3M-41E-S4	1	854-0-5259-14400
* 16	638 011 8014	Thermistor (Indoor Coil) PBC-41E-S25	1	854-0-5259-13200
* 17	638 011 6775	Transformer Ass'y ATR-II215TB	1	854-0-5263-05400
18	638 011 8021	Mounting Plate, Evaporator incl No. 19	1	854-2-2303-283H1
19	638 008 0182	Mounting Plate, Evaporator	1	854-2-2303-28301
20	638 011 8038	Mounting Plate, Evaporator incl No. 21	1	854-2-2303-285H1
21	638 008 0205	Mounting Plate, Evaporator	1	854-2-2303-28501
22	623 102 8639	Mounting Plate	2	854-2-1129-58000
23	638 011 8045	Cover Plate	1	854-2-2342-60901
24	623 102 6864	Cover Plate	1	854-2-2342-38901
25	623 102 6871	Shaft	1	854-2-1349-13300
26	623 102 6888	Rod	1	854-2-2329-11300
27	623 102 6895	Cam	1	854-2-2354-10600
28	623 078 5434	Mounting Plate	1	854-2-2360-24901
29	638 011 8052	Guard Ass'y	1	854-0-1113-18801
30	623 022 2984	Knob	1	739-2-8130-00200
31	638 008 6337	Insulation, Evaporator	1	854-2-2404-29601
32	623 102 8677	Blower Casing	4	854-2-2506-16800
33	623 102 8684	Blower Casing	4	854-2-2506-16900
34	623 102 6956	Boss Ass'y	2	854-0-2513-11100
35	623 102 8691	Shaft Ass'y	2	854-0-2518-10400
36	623 102 6611	Cushion Rubber	2	854-2-2534-15000
37	623 105 5079	Support Motor Ass'y	2	854-0-2511-20001
38	638 011 8076	Top Plate Ass'y (incl No. 39)	1	854-0-1105-424H1
39	638 011 8069	Top Plate Ass'y	1	854-0-1105-42401
40	623 102 8486	Front Panel Ass'y	1	854-0-1101-34501
41	623 102 6642	Suction Grille	3	854-2-1104-14401
42	623 102 6659	Hook Plate	6	854-2-1130-16201
43	623 102 6666	Hook Plate	6	854-2-1130-16301
44	623 102 6673	Frame Filter Ass'y	3	854-0-1302-14701
45	623 102 6680	Side Panel	1	854-2-1102-37001
46	623 102 6697	Side Panel	1	854-2-1102-37101
47	623 105 5116	Side Cover (incl No. 48)	1	854-2-1107-304H1
48	623 102 7236	Side Cover	1	854-2-1107-30401
49	623 105 5130	Side Cover, Right (incl No. 50)	1	854-2-1108-312H1
50	623 102 7205	Side Cover, Right	1	854-2-1108-31201

NOTE: Metal and plastic parts will be supplied basically  
with necessary heat insulation pads or packing.  
Each key number with an asterisk (\*) means the  
recommended service parts.

**ATTENTION !**

To ensure correct parts supply, please let us know followings,  
when you make service parts order:

1. Part No. 2. Description 3. Q' ty 4. Volts-Hz-Ph 5. Product Model No.

Key No.	Part No.	Description	Q' ty	Reference No.
51	638 011 8083	Blade Louver (incl No. 52-57)	1	854-2-1110-22500
52	623 102 8813	Blade Louver	1	854-2-1110-19901
53	623 102 7281	Support Louver	1	854-2-1111-22201
54	623 102 7274	Support Louver	2	854-2-1111-22301
55	623 102 7304	Blade Louver	27	854-2-1110-19601
56	623 102 7311	Mounting Plate	3	854-2-1129-56801
57	623 102 7298	Support Louver	2	854-2-1111-22401
58	623 130 3972	Ornamental Plate (incl No. 59, 60)	1	854-2-1308-263H9
59	638 008 0076	Ornamental Plate	1	854-2-1308-26307
60	623 104 6084	Lamp Cover	1	854-2-1323-11401
61	638 011 6829	Elec. Component Box Ass' y	1	854-0-5301-67201
62	638 011 6836	Elec. Component Box Ass' y	1	854-0-5301-69101
63	638 011 6843	Cover Plate	1	854-2-5304-46001
64	623 102 6796	Synchronized Motor MCD 8	1	528-0-0000-06903
65	638 010 8183	Terminal Base	1	1FJ-4-J3A0-02200
66	638 002 9877	Heater Ass' y 240V, 17W	1	854-0-5255-00200
67	638 011 6850	Elec Wiring Diagram	1	854-2-5268-41200
68	638 010 9395	Operation manual	1	854-6-4189-10900

NOTE: Metal and plastic parts will be supplied basically  
with necessary heat insulation pads or packing.  
Each key number with an asterisk (\*) means the  
recommended service parts.

**ATTENTION !**

To ensure correct parts supply, please let us know followings,  
when you make service parts order:

1. Part No. 2. Description 3. Q' ty 4. Volts-Hz-Ph 5. Product Model No.

Key No.	Part No.	Description	Q' ty	Reference No.
* 1	638 011 0537	Heat Exchanger Ass'y	1	854-0-4119-32300
* 2	623 101 8968	Strainer Ass'y	1	854-0-4522-13100
* 3	638 010 8251	Solenoid Control Valve	1	854-2-4548-11900
* 4	638 007 5607	Strainer Ass'y	1	854-0-4522-17100
* 5	623 102 8783	Drain Pan Ass'y	1	854-0-2301-37800
* 6	623 102 8462	Centrifugal Fan Ass'y	4	854-0-2501-20400
* 7	623 041 9971	Bearing Housing Ass'y	2	852-0-2510-11300
* 8	638 011 7994	Fan Motor Ass'y	1	854-0-5202-13900
* 9	623 117 7474	Fixed Capacitor UPMDD-440V/4.5MF	1	4-2239-56164
* 10	638 010 7698	Magnetic Coil EKV-MOZS559E	1	1FJ-4-L8A0-01100
* 11	638 010 9074	P. C. B. Ass'y CR-X253GH	1	854-0-5178-09700
* 12	638 002 5022	Switch Ass'y SS-01GL13-F	1	851-0-5257-02500
* 13	638 011 6751	Thermistor (Indoor Air) KTEC-35-S6	1	854-0-5259-11500
* 14	638 011 8007	Thermistor (Indoor Coil) PBC-41E	1	854-0-5259-12200
* 15	638 011 6768	Thermistor (Indoor Coil) PB3M-41E-S4	1	854-0-5259-14400
* 16	638 011 8014	Thermistor (Indoor Coil) PBC-41E-S25	1	854-0-5259-13200
* 17	638 011 6775	Transformer Ass'y ATR-II215TB	1	854-0-5263-05400
18	638 011 8021	Mounting Plate, Evaporator incl No.19	1	854-2-2303-283H1
19	638 008 0182	Mounting Plate, Evaporator	1	854-2-2303-28301
20	638 011 8038	Mounting Plate, Evaporator incl No.21	1	854-2-2303-285H1
21	638 008 0205	Mounting Plate, Evaporator	1	854-2-2303-28501
22	623 102 8639	Mounting Plate	2	854-2-1129-58000
23	638 011 8045	Cover Plate	1	854-2-2342-60901
24	623 102 6864	Cover Plate	1	854-2-2342-38901
25	623 102 6871	Shaft	1	854-2-1349-13300
26	623 102 6888	Rod	1	854-2-2329-11300
27	623 102 6895	Cam	1	854-2-2354-10600
28	623 078 5434	Mounting Plate	1	854-2-2360-24901
29	638 011 8052	Guard Ass'y	1	854-0-1113-18801
30	623 022 2984	Knob	1	739-2-8130-00200
31	638 008 6337	Insulation, Evaporator	1	854-2-2404-29601
32	623 102 8677	Blower Casing	4	854-2-2506-16800
33	623 102 8684	Blower Casing	4	854-2-2506-16900
34	623 102 6956	Boss Ass'y	2	854-0-2513-11100
35	623 102 8691	Shaft Ass'y	2	854-0-2518-10400
36	623 102 6611	Cushion Rubber	2	854-2-2534-15000
37	623 105 5079	Support Motor Ass'y	2	854-0-2511-20001
38	638 011 8076	Top Plate Ass'y (incl No.39)	1	854-0-1105-424H1
39	638 011 8069	Top Plate Ass'y	1	854-0-1105-42401
40	623 102 8486	Front Panel Ass'y	1	854-0-1101-34501
41	623 102 6642	Suction Grille	3	854-2-1104-14401
42	623 102 6659	Hook Plate	6	854-2-1130-16201
43	623 102 6666	Hook Plate	6	854-2-1130-16301
44	623 102 6673	Frame Filter Ass'y	3	854-0-1302-14701
45	623 102 6680	Side Panel	1	854-2-1102-37001
46	623 102 6697	Side Panel	1	854-2-1102-37101
47	623 105 5116	Side Cover (incl No.48)	1	854-2-1107-304H1
48	623 102 7236	Side Cover	1	854-2-1107-30401
49	623 105 5130	Side Cover, Right (incl No.50)	1	854-2-1108-312H1
50	623 102 7205	Side Cover, Right	1	854-2-1108-31201

NOTE: Metal and plastic parts will be supplied basically  
with necessary heat insulation pads or packing.  
Each key number with an asterisk (\*) means the  
recommended service parts.

**ATTENTION !**

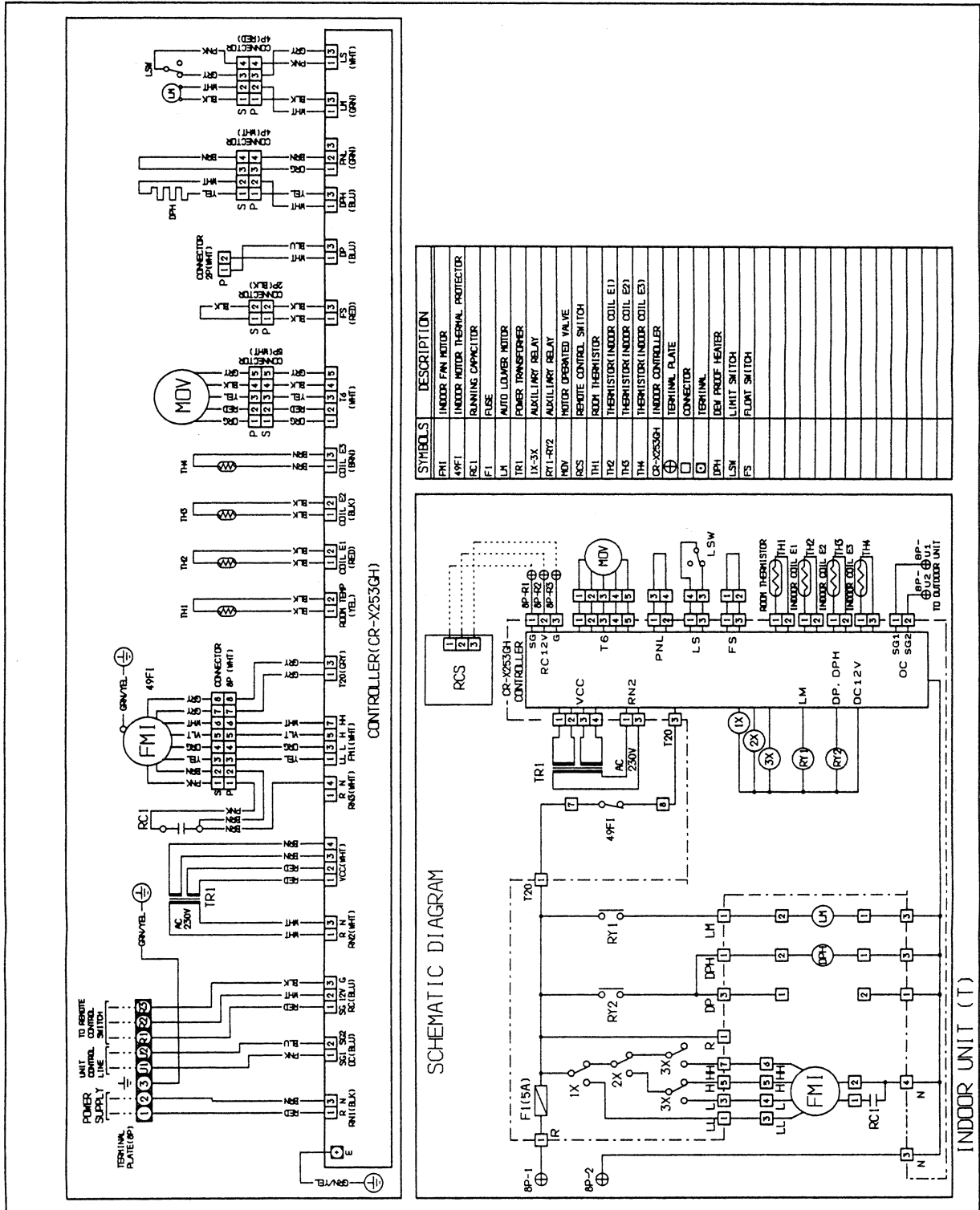
To ensure correct parts supply, please let us know followings,  
when you make service parts order:

1. Part No. 2. Description 3. Q' ty 4. Volts-Hz-Ph 5. Product Model No.

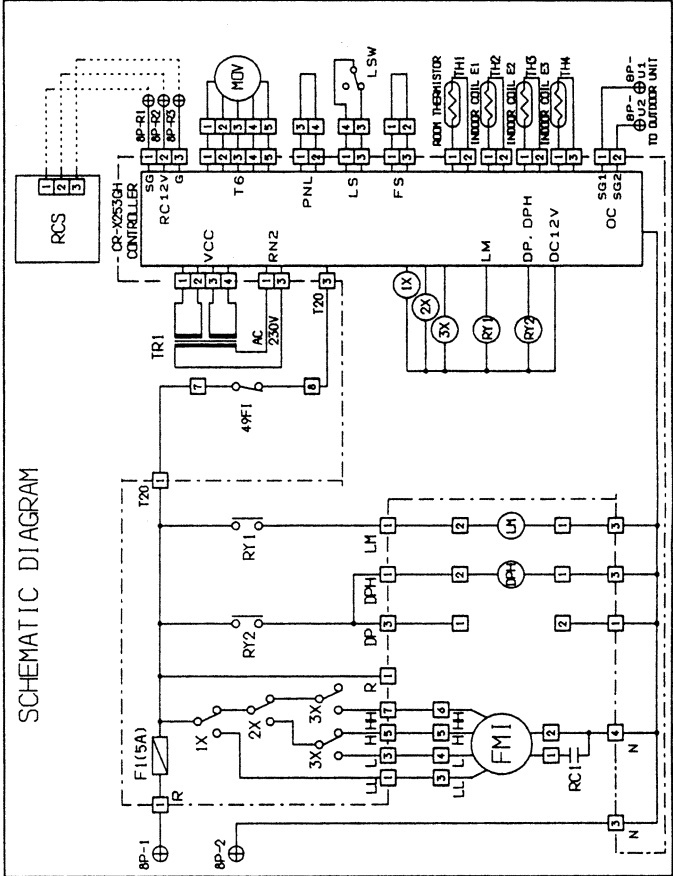
Key No.	Part No.	Description	Q' ty	Reference No.
51	638 011 8083	Blade Louver (incl No. 52-57)	1	854-2-1110-22500
52	623 102 8813	Blade Louver	1	854-2-1110-19901
53	623 102 7281	Support Louver	1	854-2-1111-22201
54	623 102 7274	Support Louver	2	854-2-1111-22301
55	623 102 7304	Blade Louver	27	854-2-1110-19601
56	623 102 7311	Mounting Plate	3	854-2-1129-56801
57	623 102 7298	Support Louver	2	854-2-1111-22401
58	623 130 3972	Ornamental Plate (incl No. 59, 60)	1	854-2-1308-263H9
59	638 008 0076	Ornamental Plate	1	854-2-1308-26307
60	623 104 6084	Lamp Cover	1	854-2-1323-11401
61	638 011 6829	Elec. Component Box Ass'y	1	854-0-5301-67201
62	638 011 6836	Elec. Component Box Ass'y	1	854-0-5301-69101
63	638 011 6843	Cover Plate	1	854-2-5304-46001
64	623 102 6796	Synchronized Motor MCD 8	1	528-0-0000-06903
65	638 010 8183	Terminal Base	1	1FJ-4-J3A0-02200
66	638 002 9877	Heater Ass'y 240V, 17W	1	854-0-5255-00200
67	638 011 6850	Elec Wiring Diagram	1	854-2-5268-41200
68	638 010 9395	Operation manual	1	854-6-4189-10900

NOTE: Metal and plastic parts will be supplied basically  
with necessary heat insulation pads or packing.  
Each key number with an asterisk (\*) means the  
recommended service parts.

# ELECTRIC WIRING DIAGRAM



SYMBOLS	DESCRIPTION
FMI	INDOOR FAN MOTOR
49F1	INDOOR MOTOR THERMAL PROTECTOR
RC1	RUNNING CAPACITOR
F1	FUSE
TR1	AUTO LOWER MOTOR
IX-3X	POWER TRANSFORMER
RT1-RT2	AUXILIARY RELAY
MOV	MOTOR OPERATED VALVE
RCS	REMOTE CONTROL SWITCH
TH1	ROOM THERMISTOR
TH2	THERMISTOR (INDOOR COIL E1)
TH3	THERMISTOR (INDOOR COIL E2)
TH4	THERMISTOR (INDOOR COIL E3)
CR-X253GH	INDOOR CONTROLLER
□	TERMINAL PLATE
○	CONNECTOR
◇	TERMINAL
DPH	DEV. PROOF. HEATER
LSW	LIMIT SWITCH
FS	FLOUT SWITCH



**SANYO**

SANYO Electric Co., Ltd.  
Osaka, Japan

T0796 Ⓐ 300 Printed in Japan