

Компания Полель - официальный
дистрибьютор **SANYO**

www.poulel.ru
www.sanyo-airservice.ru

т. (495) 101-30-99

Кондиционеры
Сплит-системы
Полупромышленные кондиционеры
Мультizonальные **VRF** системы кондиционирования
Чиллеры



Parts List

Air Conditioner

FILE NO.

INDOOR UNIT

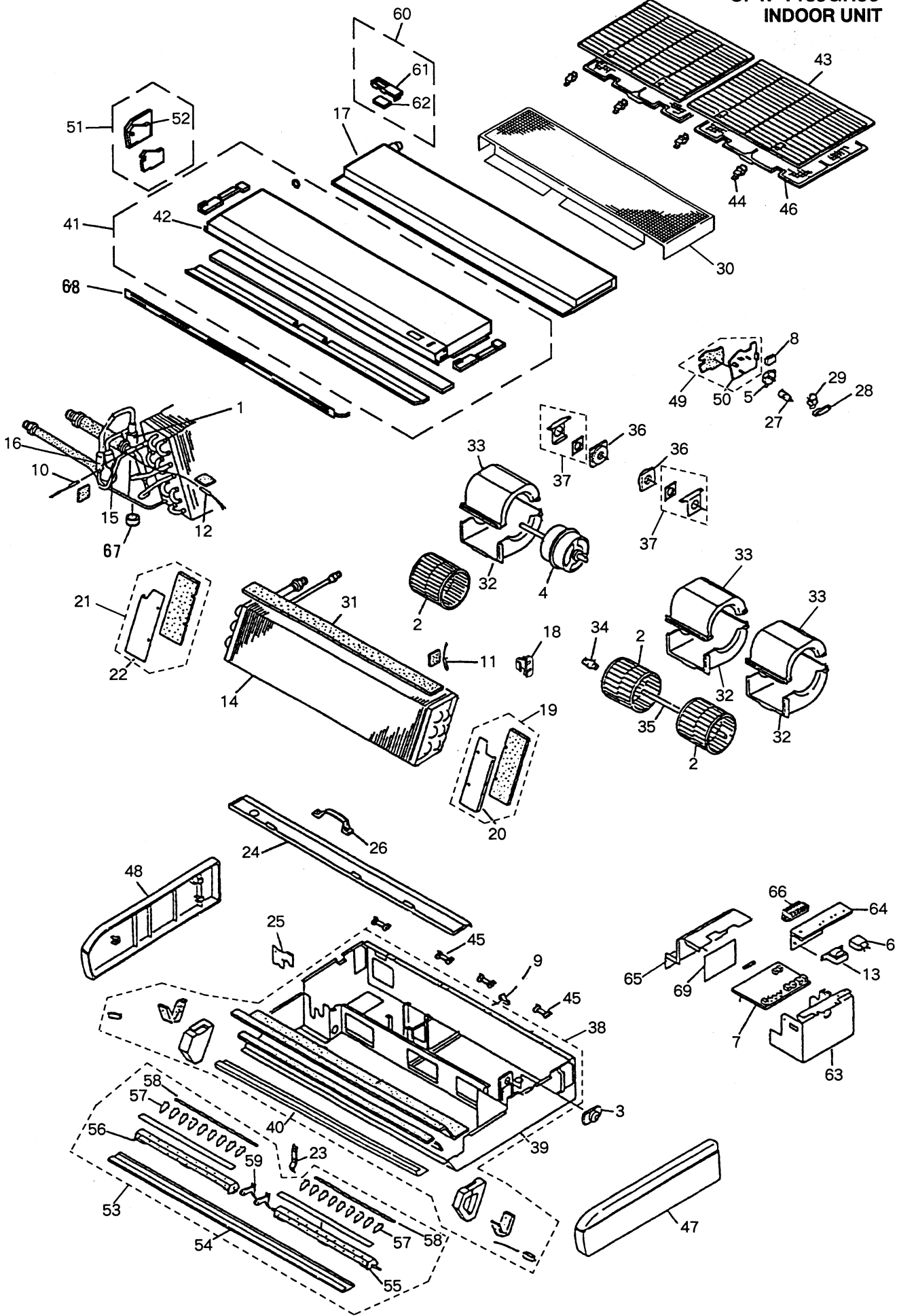
SPW-T183GH56

INDOOR UNIT		APPLICABLE OUTDOOR UNIT	VOLT / ϕ / Hz
MODEL No.	PR. CODE No.	MODEL No.	
SPW-T183GH56	854 011 43	SPW-C703GY8	IN : 220-240 / 1 / 50 OUT : 380-415 / 3 / 50
		SPW-C903GY8	
		SPW-C703GYH8	
		SPW-C903GYH8	

CONTENTS

■ EXPLODED VIEW	2
● Indoor Unit	
SPW-T183GH56	2
■ PARTS LIST	3
● Indoor Unit	
SPW-T183GH56	3, 4
■ ELECTRIC WIRING DIAGRAM	5

**SPW-T183GH56
INDOOR UNIT**



ATTENTION !

To ensure correct parts supply, please let us know followings,
when you make service parts order:

1. Part No. 2. Description 3. Q' ty 4. Volts-Hz-Ph 5. Product Model No.

Key No.	Part No.	Description	Q' ty	Reference No.
* 1	638 007 2682	Solenoid Control Valve IKV-24D12	1	854-2-4548-11800
* 2	623 102 6604	Centrifugal Fan Ass'y	3	854-0-2501-20300
* 3	623 041 9971	Bearing Housing Ass'y	1	852-0-2510-11300
* 4	638 008 9680	Fan Motor Ass'y SR4Q-31A5P	1	854-0-5202-03700
* 5	623 102 6796	Synchronized Motor MC8 D	1	528-0-0000-06903
* 6	623 096 2613	Fixed Capacitor PBM-440V/1.8MF	1	4-2239-56253
* 7	638 010 9074	P. C. B. Ass'y CR-X253GH	1	854-0-5178-09700
* 8	638 002 5022	Switch Ass'y SS-01GL13-F	1	851-0-5257-02500
* 9	638 011 6751	Thermistor (Indoor Air) KTEC-35-S6	1	854-0-5259-11500
* 10	638 010 9135	Thermistor (Indoor Coil) PBC-41E-S36	1	854-0-5259-12000
* 11	638 010 9128	Thermistor (Indoor Coil) PBC-41E-S25	1	854-0-5259-12900
* 12	638 011 6768	Thermistor (Indoor Coil) PB3M-41E-S4	1	854-0-5259-14400
* 13	638 011 6775	Transformer Ass'y ATR-II1215TB	1	854-0-5263-05400
* 14	638 011 6737	Heat Exchanger Ass'y (incl. No. 1, 15, 16)	1	854-0-4119-37400
* 15	623 102 1982	Strainer Ass'y	1	854-0-4522-12900
* 16	638 003 8121	Strainer Ass'y	1	854-0-4522-16300
* 17	623 102 7144	Drain Pan Ass'y	1	854-0-2301-37700
18	638 006 5462	Mounting Plate	1	854-2-4140-10201
19	638 005 9317	Mounting Plate, Evaporator incl. No. 20	1	854-2-2303-284H1
20	638 005 9324	Mounting Plate, Evaporator	1	854-2-2303-28401
21	638 005 9331	Mounting Plate, Evaporator incl. No. 22	1	854-2-2303-288H1
22	638 005 9348	Mounting Plate, Evaporator	1	854-2-2303-28801
23	623 102 6840	Mounting Plate	1	854-2-1129-56700
24	638 011 6782	Cover Plate	1	854-2-2342-59101
25	623 102 6864	Cover Plate	1	854-2-2342-38901
26	623 022 2984	Knob	1	739-2-8130-00200
27	623 102 6871	Shaft	1	854-2-1349-13300
28	623 102 6888	Rod	1	854-2-2329-11300
29	623 102 6895	Cam	1	854-2-2354-10600
30	638 011 6799	Guard Ass'y	1	854-0-1113-17401
31	638 007 3269	Insulation, Evaporator	1	854-2-2404-29401
32	623 102 6932	Blower Casing	3	854-2-2506-16600
33	623 102 6949	Blower Casing	3	854-2-2506-16700
34	623 102 6956	Boss Ass'y	1	854-0-2513-11100
35	623 102 6963	Shaft Ass'y	1	854-0-2518-10300
36	638 006 3284	Cushion Rubber	2	854-2-2534-17100
37	623 105 5079	Support Motor Ass'y	2	854-0-2511-20001
38	638 011 6812	Top Plate Ass'y (incl. No. 39)	1	854-0-1105-422H1
39	638 011 6805	Top Plate Ass'y	1	854-0-1105-42201
40	638 008 5934	Top Panel	1	854-2-1112-26101
41	638 005 9539	Front Panel Ass'y (incl. No. 42)	1	854-0-1101-342H1
42	623 102 6635	Front Panel Ass'y	1	854-0-1101-34201
43	623 102 6642	Suction Grille	2	854-2-1104-14401
44	623 102 6659	Hook Plate	4	854-2-1130-16201
45	623 102 6666	Hook Plate	4	854-2-1130-16301
46	623 102 6673	Frame Filter Ass'y	2	854-0-1302-14701
47	623 102 6680	Side Panel	1	854-2-1102-37001
48	623 102 6697	Side Panel	1	854-2-1102-37101
49	623 105 5116	Side Cover (incl. No. 50)	1	854-2-1107-304H1
50	623 102 7236	Side Cover	1	854-2-1107-30401

NOTE: Metal and plastic parts will be supplied basically
with necessary heat insulation pads or packing.
Each key number with an asterisk (*) means the
recommended service parts.

ATTENTION !

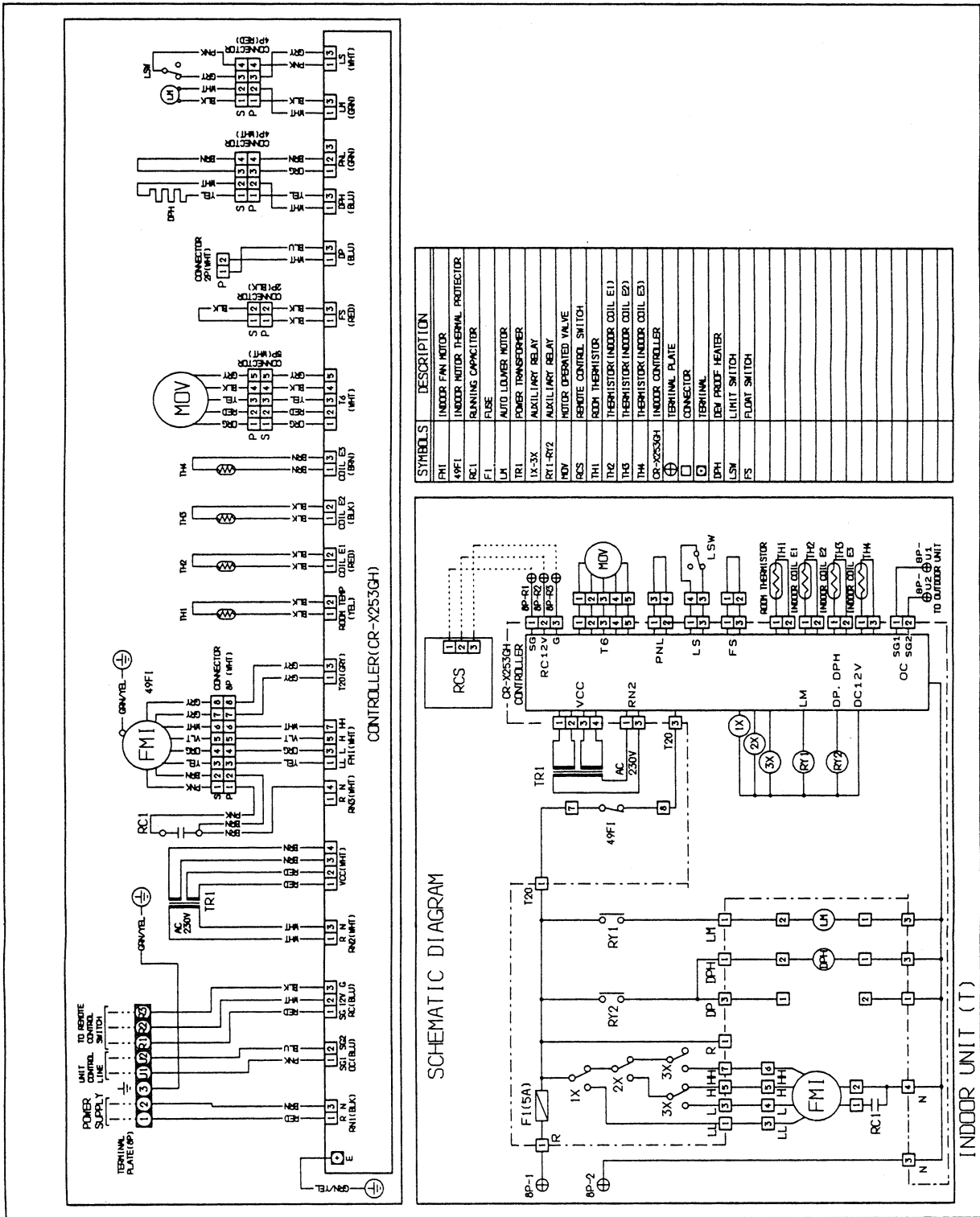
To ensure correct parts supply, please let us know followings,
when you make service parts order:

1. Part No. 2. Description 3. Q' ty 4. Volts-Hz-Ph 5. Product Model No.

Key No.	Part No.	Description	Q' ty	Reference No.
51	623 105 5130	Side Cover, Right (incl. No. 52)	1	854-2-1108-312H1
52	623 102 7205	Side Cover, Right	1	854-2-1108-31201
53	638 005 9546	Blade Louver (incl. No. 54-59)	1	854-2-1110-197H1
54	623 102 7267	Blade Louver	1	854-2-1110-19701
55	623 102 7281	Support Louver	1	854-2-1111-22201
56	623 102 7274	Support Louver	1	854-2-1111-22301
57	623 102 7304	Blade Louver	18	854-2-1110-19601
58	623 102 7311	Mounting Plate	2	854-2-1129-56801
59	623 102 7298	Support Louver	2	854-2-1111-22401
60	623 130 3972	Ornamental Plate (incl. No. 61)	1	854-2-1308-263H9
61	638 008 0076	Ornamental Plate	1	854-2-1308-26307
62	623 104 6084	Lamp Cover	1	854-2-1323-11401
63	638 011 6829	Elec. Component Box Ass'y	1	854-0-5301-67201
64	638 011 6836	Elec. Component Box Ass'y	1	854-0-5301-69101
65	638 011 6843	Cover Plate	1	854-2-5304-46001
66	638 010 8183	Terminal Base	1	1FJ-4-J3A0-02200
67	638 010 7247	Solenoid EKV-MOZS550E0	1	1FJ-4-L8A0-01000
68	638 005 9553	Heater Ass'y 240V 12W	1	854-0-5255-00300
69	638 011 6850	Elec Wiring Diagram	1	854-2-5268-41200
70	638 010 9395	Operation Manual	1	854-6-4189-10900

NOTE: Metal and plastic parts will be supplied basically
with necessary heat insulation pads or packing.
Each key number with an asterisk (*) means the
recommended service parts.

ELECTRIC WIRING DIAGRAM



SANYO

SANYO Electric Co., Ltd.
Osaka, Japan

T0796 (A) 300 Printed in Japan