

Компания Полеель - официальный
дистрибьютор **SANYO**

www.poulel.ru
www.sanyo-airservice.ru

т. (495) 101-30-99

Кондиционеры
Сплит-системы
Полупромышленные кондиционеры
Мультizonальные **VRF** системы кондиционирования
Чиллеры

Parts List

Air Conditioner

FILE NO.

INDOOR UNIT

SPW-X123GH56

SPW-X183GH56

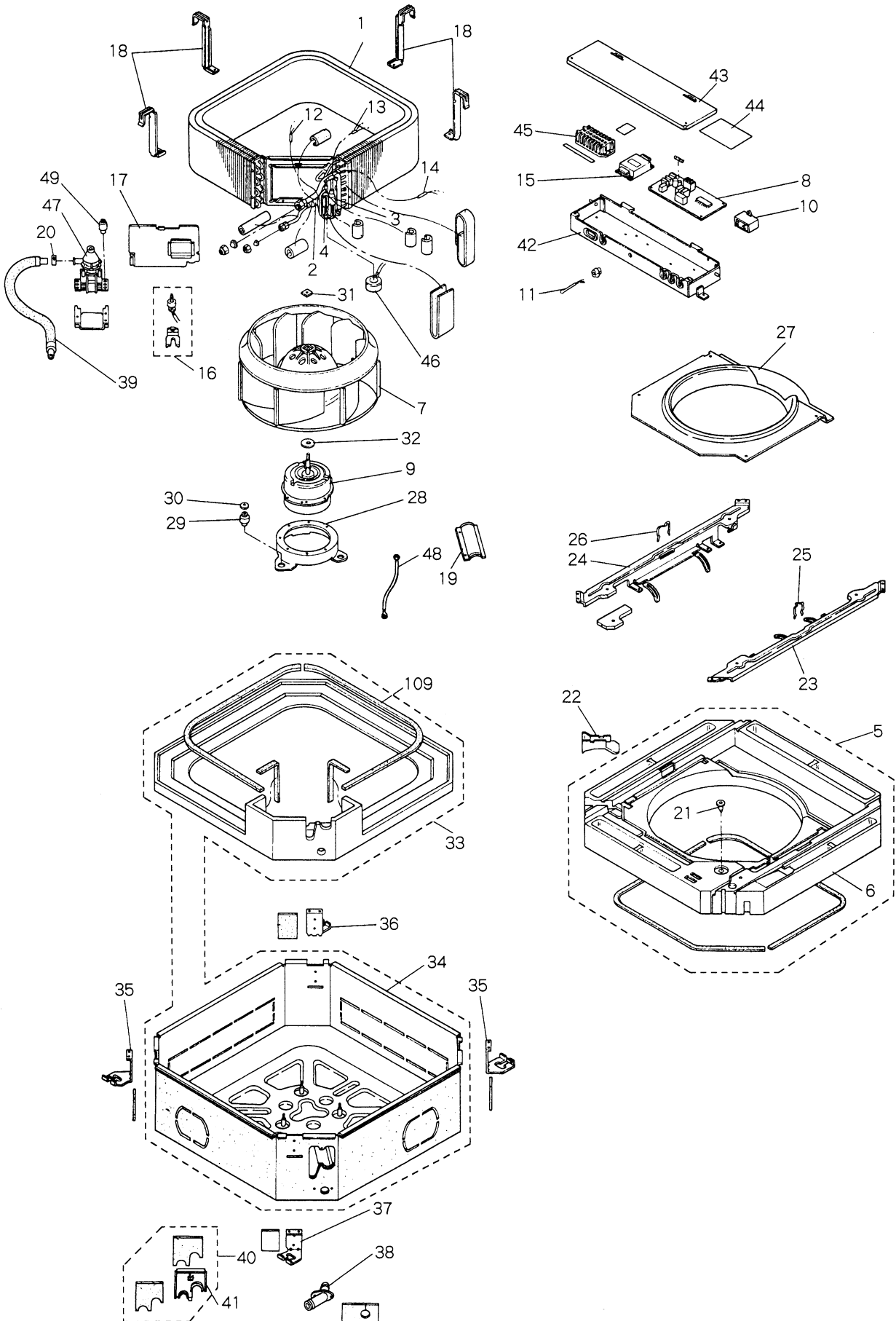
SPW-X253GH56

INDOOR UNIT		APPLICABLE OUTDOOR UNIT	VOLT / ϕ / Hz
MODEL No.	PR. CODE No.	MODEL No.	
SPW-X123H56	854 011 33	SPW-C703/903GY8	IN : 220-240 / 1 / 50 OUT : 380-415 / 3 / 50
SPW-X183GH56	854 011 34	SPW-C703/903GYH8	
SPW-X253GH56	854 011 35	SPW-C253GH5/GH8	

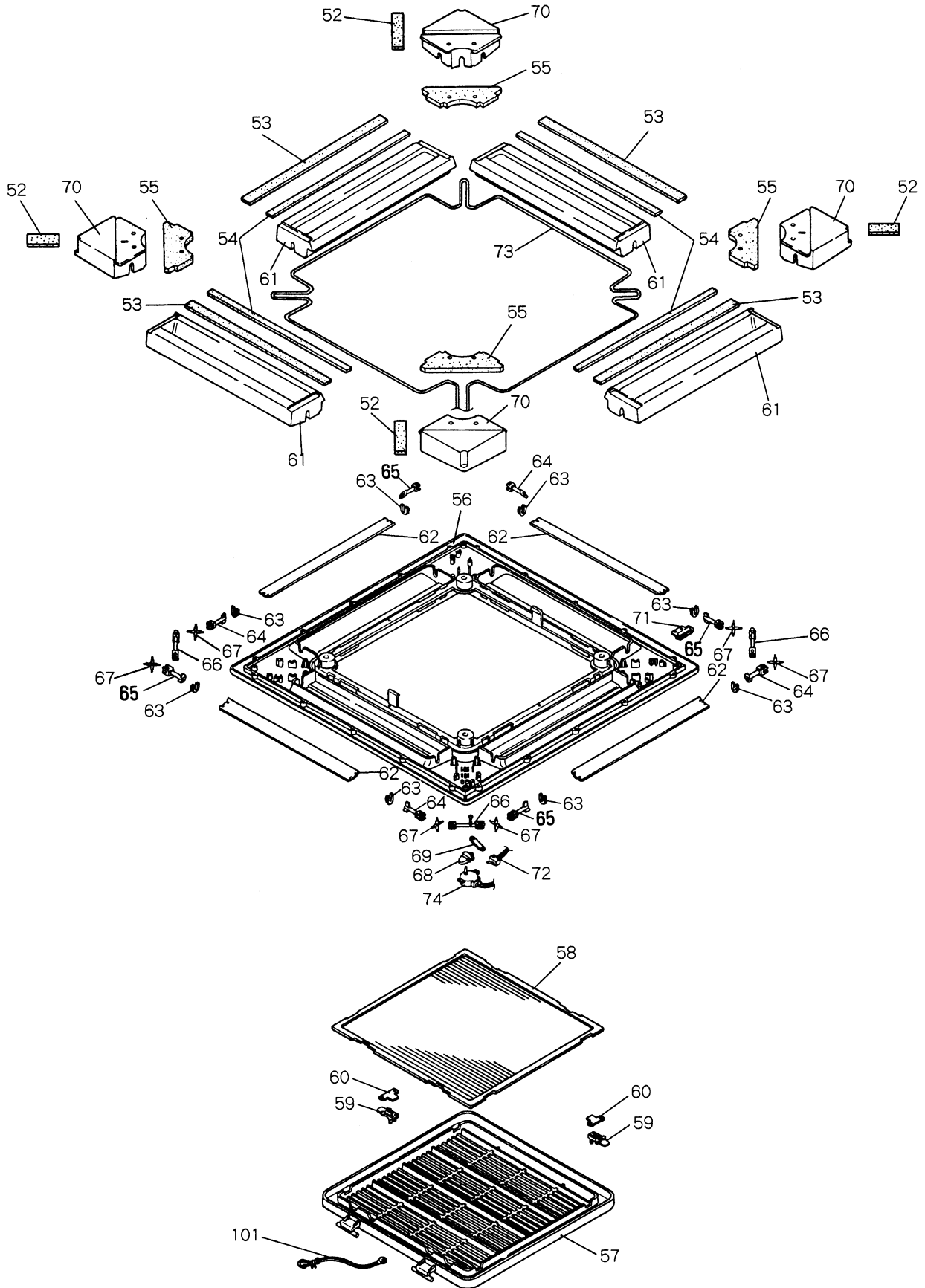
CONTENTS

■ EXPLODED VIEW	2
● Indoor Unit	
SPW-X123GH56	2
SPW-X183GH56	2
SPW-X253GH56	2
● Top Panel	
PNR-X253GHA	3
■ PARTS LIST	4
● Indoor Unit	
SPW-X123GH56	4, 5
SPW-X183GH56	6, 7
SPW-X253GH56	8, 9
■ ELECTRIC WIRING DIAGRAM	10

SPW-X123GH56
 SPW-X183GH56
 SPW-X253GH56
 INDOOR UNIT



**PNR -X253GHA
TOP PANEL**



ATTENTION !

To ensure correct parts supply, please let us know followings,
when you make service parts order:

1. Part No. 2. Description 3. Q' ty 4. Volts-Hz-Ph 5. Product Model No.

Key No.	Part No.	Description	Q' ty	Reference No.
* 1	638 011 1305	Heat Exchanger Ass'y	1	854-0-4119-40500
* 2	623 102 1982	Strainer Ass'y	1	854-0-4522-12900
* 3	638 007 2682	Solenoid Control Valve	1	854-2-4548-11800
* 4	623 105 0395	Strainer Ass'y	1	854-0-4522-13400
* 5	638 010 9067	Drain Pan Ass'y (incl No. 6)	1	854-0-2301-45800
* 6	638 011 0858	Drain Pan Ass'y	1	854-0-2301-45401
* 7	623 126 2606	Centrifugal Fan Ass'y	1	854-0-2501-21600
* 8	638 010 9074	P. C. B. Ass'y CR-X253GH	1	854-0-5178-09700
* 9	638 010 9081	Fan Motor Ass'y SFG6X-41A5P	1	854-0-5202-13000
* 10	623 094 3339	Fixed Capacitor UPMDD-440V/3.5MF	1	4-2239-56162
* 11	638 010 9098	Thermistor (Indoor Air) KTEC-35-S6	1	854-0-5259-11100
* 12	638 010 9135	Thermistor (Indoor Coil) PBC-41E-S36	1	854-0-5259-12000
* 13	638 010 9111	Thermistor (Indoor Coil) PBC-41E-S36	1	854-0-5259-13900
* 14	638 010 9128	Thermistor (Indoor Coil) PBC-41E-S25	1	854-0-5259-12900
* 15	638 010 9142	Transformer Ass'y ATR-II215TA	1	854-0-5263-05100
* 16	638 011 3392	Switch FS-3502-204	1	854-0-5152-01600
17	638 010 9166	Cover Plate	1	854-2-2342-58600
18	638 010 9173	Support, Evaporator	4	854-2-2232-21300
19	638 010 9180	Cover Plate	1	854-2-2342-58800
20	638 010 9197	Hose Band	1	854-2-4294-12100
21	623 101 9132	Cap Rubber	1	854-2-4109-10200
22	638 010 9203	Cover Plate	1	854-2-2342-58500
23	638 010 9210	Mounting Plate Ass'y, Drain Pan	1	854-0-2314-15501
24	638 010 9227	Mounting Plate Ass'y, Drain Pan	1	854-0-2314-15601
25	638 010 9234	Guide	1	854-2-2352-14200
26	638 010 9241	Guide	1	854-2-2352-14300
27	638 010 9258	Air Guide	1	854-2-2519-13800
28	638 010 9265	Support Fan Motor	1	854-2-2516-28200
29	623 126 2613	Cushion Rubber	3	854-2-2534-15900
30	623 093 6508	Washer SPHC	3	3-9021-03100
31	623 126 2866	Square Washer	1	854-2-2328-10401
32	623 126 3856	Washer Special	1	854-2-1355-15201
33	638 010 9289	Cabinet Ass'y (incl No. 34)	1	854-0-1104-27600
34	638 010 9272	Cabinet Ass'y	1	854-0-1104-26600
35	638 010 9296	Mounting Parts Ass'y	2	854-0-1111-19201
36	638 010 9319	Mounting Parts Ass'y	1	854-0-1111-19301
37	638 010 9302	Mounting Parts Ass'y	1	854-0-1111-19401
38	638 010 9326	Joint Drain	1	854-2-2334-17300
39	623 101 8999	Drain Pipe Ass'y	1	854-0-4297-12900
40	638 010 9340	Mounting Plate (incl No. 41)	1	854-2-2361-27600
41	638 010 9333	Mounting Plate	1	854-2-2361-25700
42	638 011 3385	Elec. Component Box Ass'y	1	854-0-5301-68000
43	638 010 9364	Cover Plate	1	854-2-5304-44600
44	638 010 9371	Elec Wiring Diagram	1	854-2-5268-39800
45	638 010 8183	Terminal Base	1	1FJ-4-J3A0-02200
46	638 011 0032	Magnetic Coil DKV-MOZS152B	1	1FJ-4-L8A0-02300
47	638 010 9388	Drain Pump Ass'y WP20SL-21	1	854-0-5264-02000
48	623 129 3440	Mounting Parts Ass'y	1	854-0-1111-18300
49	638 004 9523	Cushion Rubber	3	854-2-2318-13800
50	638 010 9395	Operation Manual	2	854-6-4189-10900

NOTE: Metal and plastic parts will be supplied basically with necessary heat insulation pads or packing. Each key number with an asterisk (*) means the recommended service parts.

ATTENTION !

To ensure correct parts supply, please let us know followings,
when you make service parts order:

1. Part No. 2. Description 3. Q' ty 4. Volts-Hz-Ph 5. Product Model No.

Key No.	Part No.	Description	Q' ty	Reference No.
51	638 010 9401	Panel Ass' y PNR-X253GHA (incl No. 52-)	1	859-344-69
52	638 010 9937	Insulation	4	854-2-1411-57500
53	638 010 9418	Insulation	4	854-2-1411-57600
54	638 010 9425	Insulation	4	854-2-1411-57700
55	638 010 9432	Insulation	4	854-2-1411-57800
56	638 010 9449	Top Panel	1	854-2-1112-33501
57	638 010 9456	Suction Grille	1	854-2-1104-16201
58	638 010 9463	Frame Filter Ass' y	1	854-0-1302-21501
59	638 010 9470	Hook	2	854-2-1347-12101
60	638 010 9487	Mounting Plate	2	854-2-2361-25201
61	638 010 9494	Insulation	4	854-2-1411-57301
62	638 010 9500	Blade Louver	4	854-2-1110-22301
63	638 010 9517	Support Louver	8	854-2-1111-24600
64	638 010 9524	Support Louver	4	854-2-1111-24701
65	638 010 9531	Support Louver	4	854-2-1111-24801
66	638 010 9548	Joint	3	854-2-1332-12300
67	623 104 6855	Joint	6	854-2-1332-10200
68	638 010 9555	Cam	1	854-2-2354-11000
69	638 010 9562	Joint	1	854-2-1332-12400
70	638 010 9579	Cover Plate	4	854-2-2307-15700
71	623 104 6084	Lamp Cover	1	854-2-1323-11401
* 72	638 010 8176	Switch Other AV 39213	1	1FJ-4-S1Z0-01000
73	638 011 3361	Heater 240V, 26W	1	1FJ-4-H1D0-01200
74	638 010 9586	Syncronized Motor M2LB24ZA12	1	528-0-5000-00203

NOTE: Metal and plastic parts will be supplied basically
with necessary heat insulation pads or packing.
Each key number with an asterisk (*) means the
recommended service parts.

ATTENTION !

To ensure correct parts supply, please let us know followings,
when you make service parts order:

1. Part No. 2. Description 3. Q' ty 4. Volts-Hz-Ph 5. Product Model No.

Key NO.	Part No.	Description	Q' ty	Reference No.
* 1	638 011 1312	Heat Exchanger Ass' y	1	854-0-4119-40600
* 2	623 102 1982	Strainer Ass' y	1	854-0-4522-12900
* 3	638 007 2682	Solenoid Control Valve	1	854-2-4548-11800
* 4	623 105 0395	Strainer Ass' y	1	854-0-4522-13400
* 5	638 010 9067	Drain Pan Ass' y (incl No.6)	1	854-0-2301-45800
* 6	638 011 0858	Drain Pan Ass' y	1	854-0-2301-45401
* 7	623 126 2606	Centrifugal Fan Ass' y	1	854-0-2501-21600
* 8	638 010 9074	P. C. B. Ass' y CR-X253GH	1	854-0-5178-09700
* 9	638 010 9081	Fan Motor Ass' y SFG6X-41A5P	1	854-0-5202-13000
* 10	623 094 3339	Fixed Capacitor UP added-440V/3.5MF	1	4-2239-56162
* 11	638 010 9098	Thermistor (Indoor Air) KTEC-35-S6	1	854-0-5259-11100
* 12	638 010 9135	Thermistor (Indoor Coil) PBC-41E-S36	1	854-0-5259-12000
* 13	638 010 9111	Thermistor (Indoor Coil) PBC-41E-S36	1	854-0-5259-13900
* 14	638 010 9128	Thermistor (Indoor Coil) PBC-41E-S25	1	854-0-5259-12900
* 15	638 010 9142	Transformer Ass' y ATR-11215TA	1	854-0-5263-05100
* 16	638 011 3392	Switch FS-3502-204	1	854-0-5152-01600
17	638 010 9166	Cover Plate	1	854-2-2342-58600
18	638 010 9173	Support, Evaporator	4	854-2-2232-21300
19	638 010 9180	Cover Plate	1	854-2-2342-58800
20	638 010 9197	Hose Band	1	854-2-4294-12100
21	623 101 9132	Cap Rubber	1	854-2-4109-10200
22	638 010 9203	Cover Plate	1	854-2-2342-58500
23	638 010 9210	Mounting Plate Ass' y, Drain Pan	1	854-0-2314-15501
24	638 010 9227	Mounting Plate Ass' y, Drain Pan	1	854-0-2314-15601
25	638 010 9234	Guide	1	854-2-2352-14200
26	638 010 9241	Guide	1	854-2-2352-14300
27	638 010 9258	Air Guide	1	854-2-2519-13800
28	638 010 9265	Support Fan Motor	1	854-2-2516-28200
29	623 126 2613	Cushion Rubber	3	854-2-2534-15900
30	623 093 6508	Washer SPHC	3	3-9021-03100
31	623 126 2866	Square Washer	1	854-2-2328-10401
32	623 126 3856	Washer Special	1	854-2-1355-15201
33	638 010 9289	Cabinet Ass' y (incl No. 34)	1	854-0-1104-27600
34	638 010 9272	Cabinet Ass' y	1	854-0-1104-26600
35	638 010 9296	Mounting Parts Ass' y	2	854-0-1111-19201
36	638 010 9319	Mounting Parts Ass' y	1	854-0-1111-19301
37	638 010 9302	Mounting Parts Ass' y	1	854-0-1111-19401
38	638 010 9326	Joint Drain	1	854-2-2334-17300
39	623 101 8999	Drain Pipe Ass' y	1	854-0-4297-12900
40	638 010 9340	Mounting Plate (incl No. 41)	1	854-2-2361-27600
41	638 010 9333	Mounting Plate	1	854-2-2361-25700
42	638 011 3385	Elec. Component Box Ass' y	1	854-0-5301-68000
43	638 010 9364	Cover Plate	1	854-2-5304-44600
44	638 010 9371	Elec Wiring Diagram	1	854-2-5268-39800
45	638 010 8183	Terminal Base	1	1FJ-4-J3A0-02200
46	638 011 0032	Magnetic Coil DKV-MOZS152B	1	1FJ-4-L8A0-02300
47	638 010 9388	Drain Pump Ass' y WP20SL-21	1	854-0-5264-02000
48	623 129 3440	Mounting Parts Ass' y	1	854-0-1111-18300
49	638 004 9523	Cushion Rubber	3	854-2-2318-13800
50	638 010 9395	Operation Manual	2	854-6-4189-10900

NOTE: Metal and plastic parts will be supplied basically
with necessary heat insulation pads or packing.
Each key number with an asterisk (*) means the
recommended service parts.

ATTENTION !

To ensure correct parts supply, please let us know followings,

when you make service parts order:

1. Part No. 2. Description 3. Q' ty 4. Volts-Hz-Ph 5. Product Model No.

Key No.	Part No.	Description	Q' ty	Reference No.
51	638 010 9401	Panel Ass'y PNR-X253GHA (incl No. 52-)	1	859-344-69
52	638 010 9937	Insulation	4	854-2-1411-57500
53	638 010 9418	Insulation	4	854-2-1411-57600
54	638 010 9425	Insulation	4	854-2-1411-57700
55	638 010 9432	Insulation	4	854-2-1411-57800
56	638 010 9449	Top Panel	1	854-2-1112-33501
57	638 010 9456	Suction Grille	1	854-2-1104-16201
58	638 010 9463	Frame Filter Ass'y	1	854-0-1302-21501
59	638 010 9470	Hook	2	854-2-1347-12101
60	638 010 9487	Mounting Plate	2	854-2-2361-25201
61	638 010 9494	Insulation	4	854-2-1411-57301
62	638 010 9500	Blade Louver	4	854-2-1110-22301
63	638 010 9517	Support Louver	8	854-2-1111-24600
64	638 010 9524	Support Louver	4	854-2-1111-24701
65	638 010 9531	Support Louver	4	854-2-1111-24801
66	638 010 9548	Joint	3	854-2-1332-12300
67	623 104 6855	Joint	6	854-2-1332-10200
68	638 010 9555	Cam	1	854-2-2354-11000
69	638 010 9562	Joint	1	854-2-1332-12400
70	638 010 9579	Cover Plate	4	854-2-2307-15700
71	623 104 6084	Lamp Cover	1	854-2-1323-11401
* 72	638 010 8176	Switch Other AV 39213	1	1FJ-4-S1Z0-01000
73	638 011 3361	Heater 240V, 26W	1	1FJ-4-H1D0-01200
74	638 010 9586	Syncronized Motor M2LB24ZA12	1	528-0-5000-00203

NOTE: Metal and plastic parts will be supplied basically with necessary heat insulation pads or packing.
Each key number with an asterisk (*) means the recommended service parts.

ATTENTION !

To ensure correct parts supply, please let us know followings,
when you make service parts order:

1. Part No. 2. Description 3. Q' ty 4. Volts-Hz-Ph 5. Product Model No.

Key No.	Part No.	Description	Q' ty	Reference No.
* 1	638 010 9623	Heat Exchanger Ass'y	1	854-0-4119-34200
* 2	623 102 1982	Strainer Ass'y	1	854-0-4522-12900
* 3	638 007 2682	Solenoid Control Valve	1	854-2-4548-11800
* 4	638 010 9616	Strainer Ass'y	1	854-0-4522-19500
* 5	638 010 9067	Drain Pan Ass'y (incl No. 6)	1	854-0-2301-45800
* 6	638 011 0858	Drain Pan Ass'y	1	854-0-2301-45401
* 7	623 126 2606	Centrifugal Fan Ass'y	1	854-0-2501-21600
* 8	638 010 9074	P. C. B. Ass'y CR-X253GH	1	854-0-5178-09700
* 9	638 010 9081	Fan Motor Ass'y SFG6X-41A5P	1	854-0-5202-13000
* 10	623 121 5145	Fixed Capacitor UPMDD-440V/4.0MF	1	4-2239-56163
* 11	638 010 9098	Thermistor (Indoor Air) KTEC-35-S6	1	854-0-5259-11100
* 12	638 010 9135	Thermistor (Indoor Coil) PBC-41E-S36	1	854-0-5259-12000
* 13	638 010 9111	Thermistor (Indoor Coil) PBC-41E-S36	1	854-0-5259-13900
* 14	638 010 9128	Thermistor (Indoor Coil) PBC-41E-S25	1	854-0-5259-12900
* 15	638 010 9142	Transformer Ass'y ATR-II215TA	1	854-0-5263-05100
* 16	638 011 3392	Switch FS-3502-204	1	854-0-5152-01600
17	638 010 9166	Cover Plate	1	854-2-2342-58600
18	638 010 9173	Support, Evaporator	4	854-2-2232-21300
19	638 010 9180	Cover Plate	1	854-2-2342-58800
20	638 010 9197	Hose Band	1	854-2-4294-12100
21	623 101 9132	Cap Rubber	1	854-2-4109-10200
22	638 010 9203	Cover Plate	1	854-2-2342-58500
23	638 010 9210	Mounting Plate Ass'y, Drain Pan	1	854-0-2314-15501
24	638 010 9227	Mounting Plate Ass'y, Drain Pan	1	854-0-2314-15601
25	638 010 9234	Guide	1	854-2-2352-14200
26	638 010 9241	Guide	1	854-2-2352-14300
27	638 010 9258	Air Guide	1	854-2-2519-13800
28	638 010 9265	Support Fan Motor	1	854-2-2516-28200
29	623 126 2613	Cushion Rubber	3	854-2-2534-15900
30	623 093 6508	Washer SPHC	3	3-9021-03100
31	623 126 2866	Square Washer	1	854-2-2328-10401
32	623 126 3856	Washer Special	1	854-2-1355-15201
33	638 010 9289	Cabinet Ass'y (incl No. 34)	1	854-0-1104-27600
34	638 010 9272	Cabinet Ass'y	1	854-0-1104-26600
35	638 010 9296	Mounting Parts Ass'y	2	854-0-1111-19201
36	638 010 9319	Mounting Parts Ass'y	1	854-0-1111-19301
37	638 010 9302	Mounting Parts Ass'y	1	854-0-1111-19401
38	638 010 9326	Joint Drain	1	854-2-2334-17300
39	623 101 8999	Drain Pipe Ass'y	1	854-0-4297-12900
40	638 010 9340	Mounting Plate (incl No. 41)	1	854-2-2361-27600
41	638 010 9333	Mounting Plate	1	854-2-2361-25700
42	638 011 3385	Elec. Component Box Ass'y	1	854-0-5301-68000
43	638 010 9364	Cover Plate	1	854-2-5304-44600
44	638 010 9371	Elec Wiring Diagram	1	854-2-5268-39800
45	638 010 8183	Terminal Base	1	1FJ-4-J3A0-02200
46	638 011 0032	Magnetic Coil DKV-MOZS152B	1	1FJ-4-L8A0-02300
47	638 010 9388	Drain Pump Ass'y WP20SL-21	1	854-0-5264-02000
48	623 129 3440	Mounting Parts Ass'y	1	854-0-1111-18300
49	638 004 9523	Cushion Rubber	3	854-2-2318-13800
50	638 010 9395	Operation Manual	2	854-6-4189-10900

NOTE: Metal and plastic parts will be supplied basically
with necessary heat insulation pads or packing.
Each key number with an asterisk (*) means the
recommended service parts.

ATTENTION !

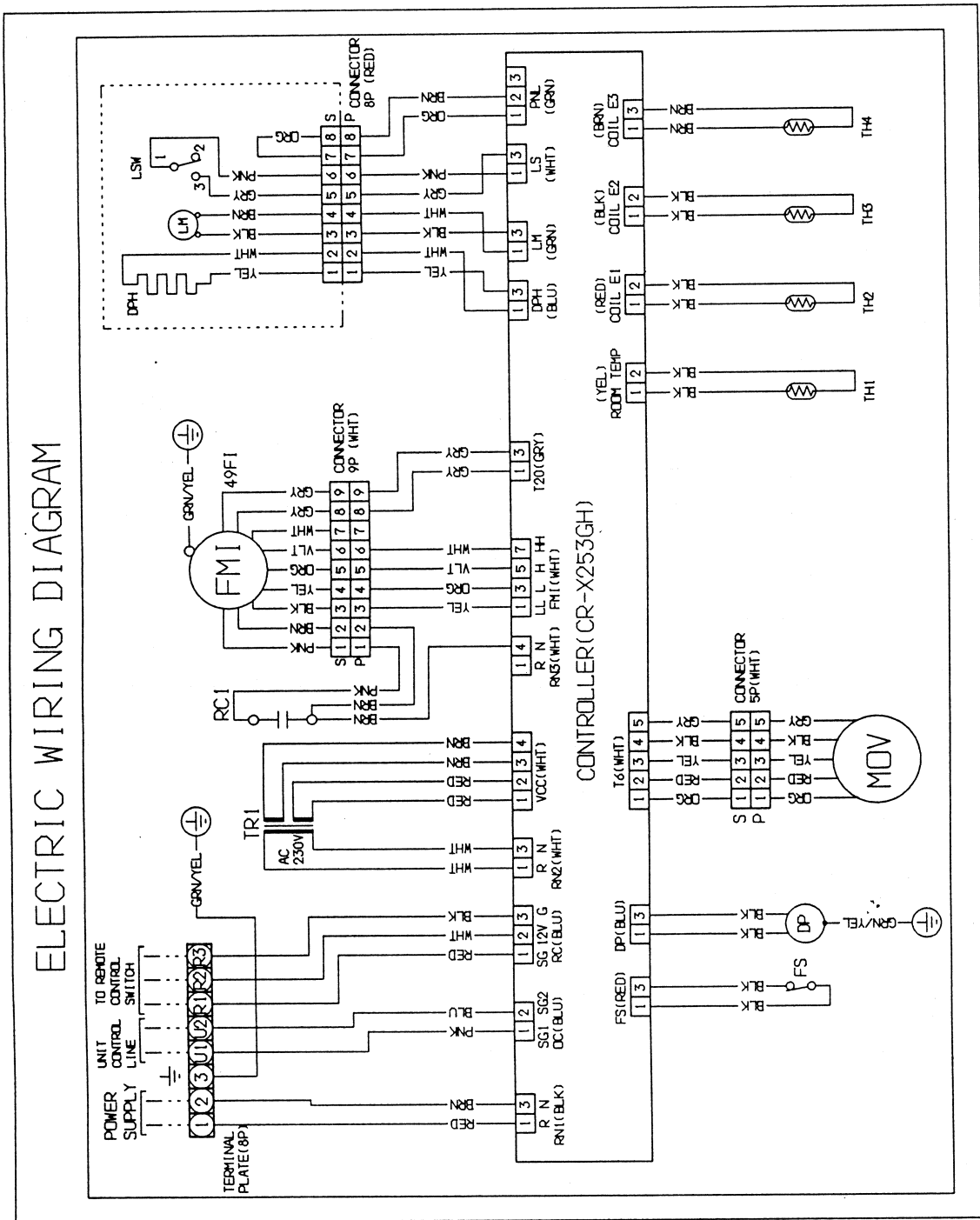
To ensure correct parts supply, please let us know followings,
when you make service parts order:

1. Part No. 2. Description 3. Q' ty 4. Volts-Hz-Ph 5. Product Model No.

Key No.	Part No.	Description	Q' ty	Reference No.
51	638 010 9401	Panel Ass'y PNR-X253GHA (incl No. 52-)	1	859-344-69
52	638 010 9937	Insulation	4	854-2-1411-57500
53	638 010 9418	Insulation	4	854-2-1411-57600
54	638 010 9425	Insulation	4	854-2-1411-57700
55	638 010 9432	Insulation	4	854-2-1411-57800
56	638 010 9449	Top Panel	1	854-2-1112-33501
57	638 010 9456	Suction Grille	1	854-2-1104-16201
58	638 010 9463	Frame Filter Ass'y	1	854-0-1302-21501
59	638 010 9470	Hook	2	854-2-1347-12101
60	638 010 9487	Mounting Plate	2	854-2-2361-25201
61	638 010 9494	Insulation	4	854-2-1411-57301
62	638 010 9500	Blade Louver	4	854-2-1110-22301
63	638 010 9517	Support Louver	8	854-2-1111-24600
64	638 010 9524	Support Louver	4	854-2-1111-24701
65	638 010 9531	Support Louver	4	854-2-1111-24801
66	638 010 9548	Joint	3	854-2-1332-12300
67	623 104 6855	Joint	6	854-2-1332-10200
68	638 010 9555	Cam	1	854-2-2354-11000
69	638 010 9562	Joint	1	854-2-1332-12400
70	638 010 9579	Cover Plate	4	854-2-2307-15700
71	623 104 6084	Lamp Cover	1	854-2-1323-11401
* 72	638 010 8176	Switch Other AV 39213	1	1FJ-4-S1Z0-01000
73	638 011 3361	Heater 240V, 26W	1	1FJ-4-H1D0-01200
74	638 010 9586	Synchronized Motor M2LB24ZA12	1	528-0-5000-00203

NOTE: Metal and plastic parts will be supplied basically
with necessary heat insulation pads or packing.
Each key number with an asterisk (*) means the
recommended service parts.

ELECTRIC WIRING DIAGRAM



SANYO

SANYO Electric Co., Ltd.
Osaka, Japan

T0496 (A) 300 Printed in Japan