

Компания Полель - официальный  
дистрибьютор **SANYO**

[www.poulel.ru](http://www.poulel.ru)  
[www.sanyo-airservice.ru](http://www.sanyo-airservice.ru)

т. (495) 101-30-99

Кондиционеры  
Сплит-системы  
Полупромышленные кондиционеры  
Мультizonальные **VRF** системы кондиционирования  
Чиллеры

## Parts List

**Air Conditioner**

FILE NO.

INDOOR UNIT

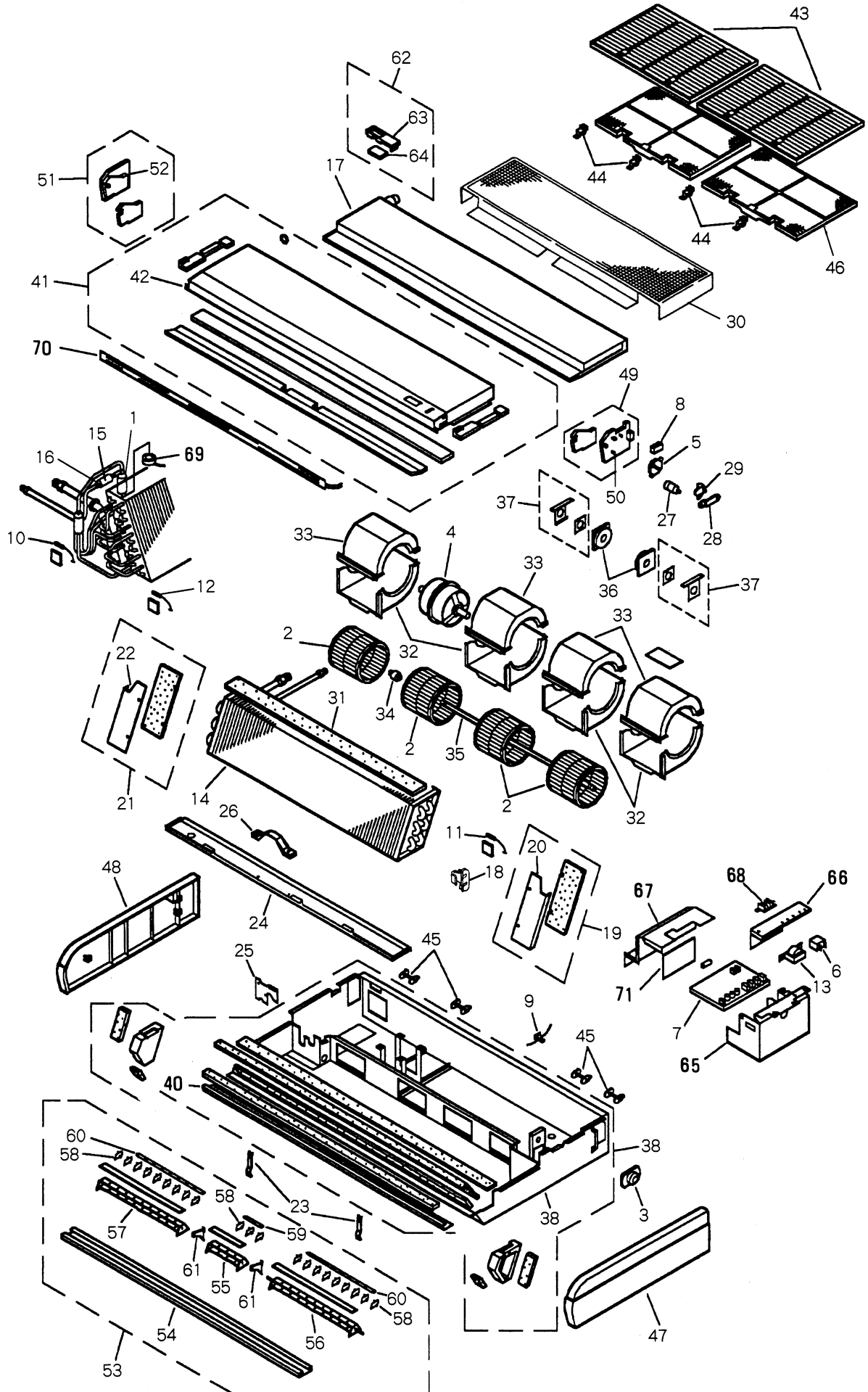
**SPW-T253GH56**

INDOOR UNIT		APPLICABLE OUTDOOR UNIT	VOLT / $\phi$ / Hz
MODEL No.	PR. CODE No.	MODEL No.	
SPW-T253GH56	854 011 44	SPW-C703GY8	IN : 220-240 / 1 / 50 OUT : 220-240 / 1 / 50 : 380-415 / 3 / 50
		SPW-C903GY8	
		SPW-C703GYH8	
		SPW-C903GYH8	
		SPW-C253GH5/8	

## CONTENTS

■ EXPLODED VIEW .....	2
● Indoor Unit	
SPW-T253GH56 .....	2
■ PARTS LIST .....	3
● Indoor Unit	
SPW-T253GH56 .....	3, 4
■ ELECTRIC WIRING DIAGRAM .....	5

**SPW-T253GH56  
INDOOR UNIT**



**ATTENTION !**

To ensure correct parts supply, please let us know followings,  
when you make service parts order:

1. Part No. 2. Description 3. Q' ty 4. Volts-Hz-Ph 5. Product Model No.

Key No.	Part No.	Description	Q' ty	Reference No.
* 1	638 007 2682	Solenoid Control Valve IKV-24D12	1	854-2-4548-11800
* 2	623 102 6604	Centrifugal Fan Ass'y	4	854-0-2501-20300
* 3	623 041 9971	Bearing Housing Ass'y	1	852-0-2510-11300
* 4	638 011 7949	Fan Motor Ass'y KFG4Q-41A5P	1	854-0-5202-13800
* 5	623 102 6796	Synchronized Motor MC8 D	1	528-0-0000-06903
* 6	623 095 6322	Fixed Capacitor UPMDD-440V/2.5MF	1	4-2239-56160
* 7	638 010 9074	P. C. B. Ass'y CR-X253GH	1	854-0-5178-09700
* 8	638 002 5022	Switch Ass'y SS-01GL13-F	1	851-0-5257-02500
* 9	638 011 6751	Thermistor (Indoor Air) KTEC-35-S6	1	854-0-5259-11500
* 10	638 011 7956	Thermistor (Indoor Coil) PBC-41E-S36	1	854-0-5259-12100
* 11	638 011 7963	Thermistor (Indoor Coil) PBC-41E-S25	1	854-0-5259-13100
* 12	638 011 6768	Thermistor (Indoor Coil) PBC-41E-S4	1	854-0-5259-14400
* 13	638 011 6775	Transformer Ass'y ATR-II215TB	1	854-0-5263-05400
* 14	638 005 9294	Heat Exchanger Ass'y (incl. No. 1, 15, 16)	1	854-0-4119-16700
* 15	623 102 1982	Strainer Ass'y	1	854-0-4522-12900
* 16	638 005 9300	Strainer Ass'y	1	854-0-4522-16700
* 17	623 102 7830	Drain Pan Ass'y	1	854-0-2301-37500
18	638 006 5462	Mounting Plate	1	854-2-4140-10201
19	638 007 3306	Mounting Plate, Evaporator incl. No. 20	1	854-2-2303-282H1
20	638 007 3290	Mounting Plate, Evaporator	1	854-2-2303-28201
21	638 005 9331	Mounting Plate, Evaporator incl. No. 22	1	854-2-2303-288H1
22	638 005 9348	Mounting Plate, Evaporator	1	854-2-2303-28801
23	623 102 6840	Mounting Plate	2	854-2-1129-56700
24	638 011 8595	Cover Plate	1	854-2-2342-60801
25	623 102 6864	Cover Plate	1	854-2-2342-38901
26	623 022 2984	Knob	1	739-2-8130-00200
27	623 102 6871	Shaft	1	854-2-1349-13300
28	623 102 6888	Rod	1	854-2-2329-11300
29	623 102 6895	Cam	1	854-2-2354-10600
30	638 011 8601	Guard Ass'y	1	854-0-1113-18701
31	638 006 1372	Insulation, Evaporator	1	854-2-2404-29501
32	623 102 6932	Blower Casing	4	854-2-2506-16600
33	623 102 6949	Blower Casing	4	854-2-2506-16700
34	623 102 6956	Boss Ass'y	1	854-0-2513-11100
35	623 102 7779	Shaft Ass'y	1	854-0-2518-10100
36	623 102 6611	Cushion Rubber	2	854-2-2534-15000
37	623 105 5079	Support Motor Ass'y	2	854-0-2511-20001
38	638 011 7987	Top Plate Ass'y (incl. No. 39)	1	854-0-1105-423H1
39	638 011 7970	Top Plate Ass'y	1	854-0-1105-42301
40	623 102 7663	Top Panel	1	854-2-1112-25902
41	638 002 9662	Front Panel Ass'y (incl. No. 42)	1	854-0-1101-340H1
42	623 102 7670	Front Panel Ass'y	1	854-0-1101-34001
43	623 102 7687	Suction Grille	2	854-2-1104-14301
44	623 102 6659	Hook Plate	4	854-2-1130-16201
45	623 102 6666	Hook Plate	4	854-2-1130-16301
46	623 102 7694	Frame Filter Ass'y	2	854-0-1302-14601
47	623 102 6680	Side Panel	1	854-2-1102-37001
48	623 102 6697	Side Panel	1	854-2-1102-37101
49	623 105 5116	Side Cover (incl. No. 50)	1	854-2-1107-304H1
50	623 102 7236	Side Cover	1	854-2-1107-30401

NOTE: Metal and plastic parts will be supplied basically  
with necessary heat insulation pads or packing.  
Each key number with an asterisk (\*) means the  
recommended service parts.

**ATTENTION !**

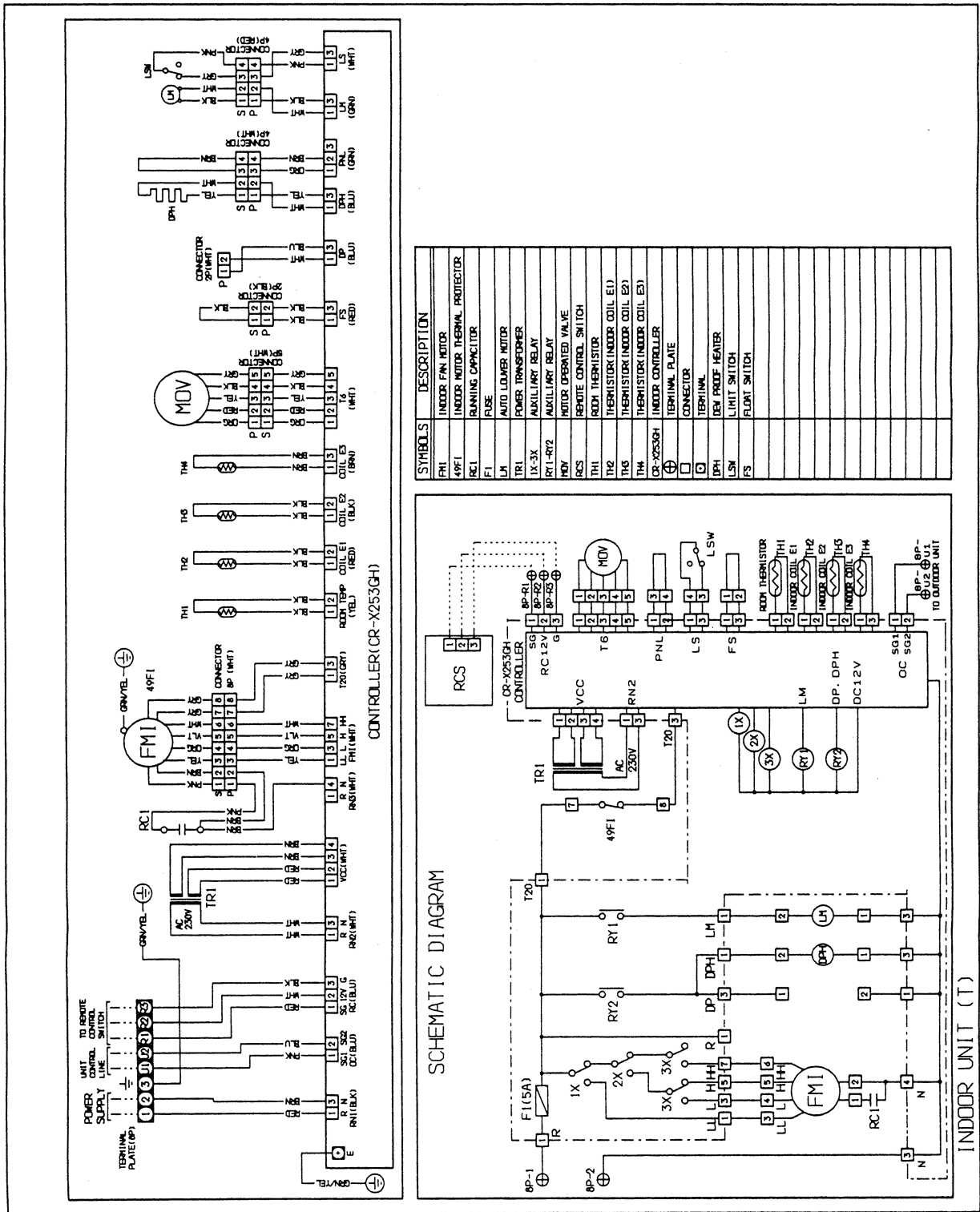
To ensure correct parts supply, please let us know followings,  
when you make service parts order:

1. Part No. 2. Description 3. Q' ty 4. Volts-Hz-Ph 5. Product Model No.

Key No.	Part No.	Description	Q' ty	Reference No.
51	623 105 5130	Side Cover, Right (incl. No. 52)	1	854-2-1108-312H1
52	623 102 7205	Side Cover, Right	1	854-2-1108-31201
53	623 105 5123	Blade Louver (incl. No. 54-61)	1	854-2-1110-198H1
54	623 102 7861	Blade Louver	1	854-2-1110-19801
55	623 102 7878	Support Louver	1	854-2-1111-22101
56	623 102 7281	Support Louver	1	854-2-1111-22201
57	623 102 7274	Support Louver	1	854-2-1111-22301
58	623 102 7304	Blade Louver	21	854-2-1110-19601
59	623 102 7786	Mounting Plate	1	854-2-1129-56901
60	623 102 7311	Mounting Plate	2	854-2-1129-56801
61	623 102 7298	Support Louver	2	854-2-1111-22401
62	623 104 1201	Ornamental Plate (incl. No. 63)	1	854-2-1308-263H1
63	638 008 0076	Ornamental Plate	1	854-2-1308-26307
64	623 104 6084	Lamp Cover	1	854-2-1323-11401
65	638 011 6829	Elec. Component Box Ass'y	1	854-0-5301-67201
66	638 011 6836	Elec. Component Box Ass'y	1	854-0-5301-69101
67	638 011 6843	Cover Plate	1	854-2-5304-46001
68	638 010 8183	Terminal Base	1	1FJ-4-J3A0-02200
69	638 006 3130	Solenoid DKV-MOZS550E0	1	1FJ-4-L8A0-00100
70	638 003 1542	Heater Ass'y 240V 15W	1	854-0-5255-00100
71	638 011 6850	Elec Wiring Diagram	1	854-2-5268-41200
72	638 010 9395	Operation Manual	1	854-6-4189-10900

NOTE: Metal and plastic parts will be supplied basically  
with necessary heat insulation pads or packing.  
Each key number with an asterisk (\*) means the  
recommended service parts.

# ELECTRIC WIRING DIAGRAM



**SANYO**

SANYO Electric Co., Ltd.  
Osaka, Japan

T0796 (A) 300 Printed in Japan