

Компания Полель - официальный
дистрибьютор **SANYO**

www.poulel.ru
www.sanyo-airservice.ru

т. (495) 101-30-99

Кондиционеры
Сплит-системы
Полупромышленные кондиционеры
Мультizonальные **VRF** системы кондиционирования
Чиллеры



Parts List

Air Conditioner

FILE NO.

OUTDOOR UNIT

SPW-C703GYH8

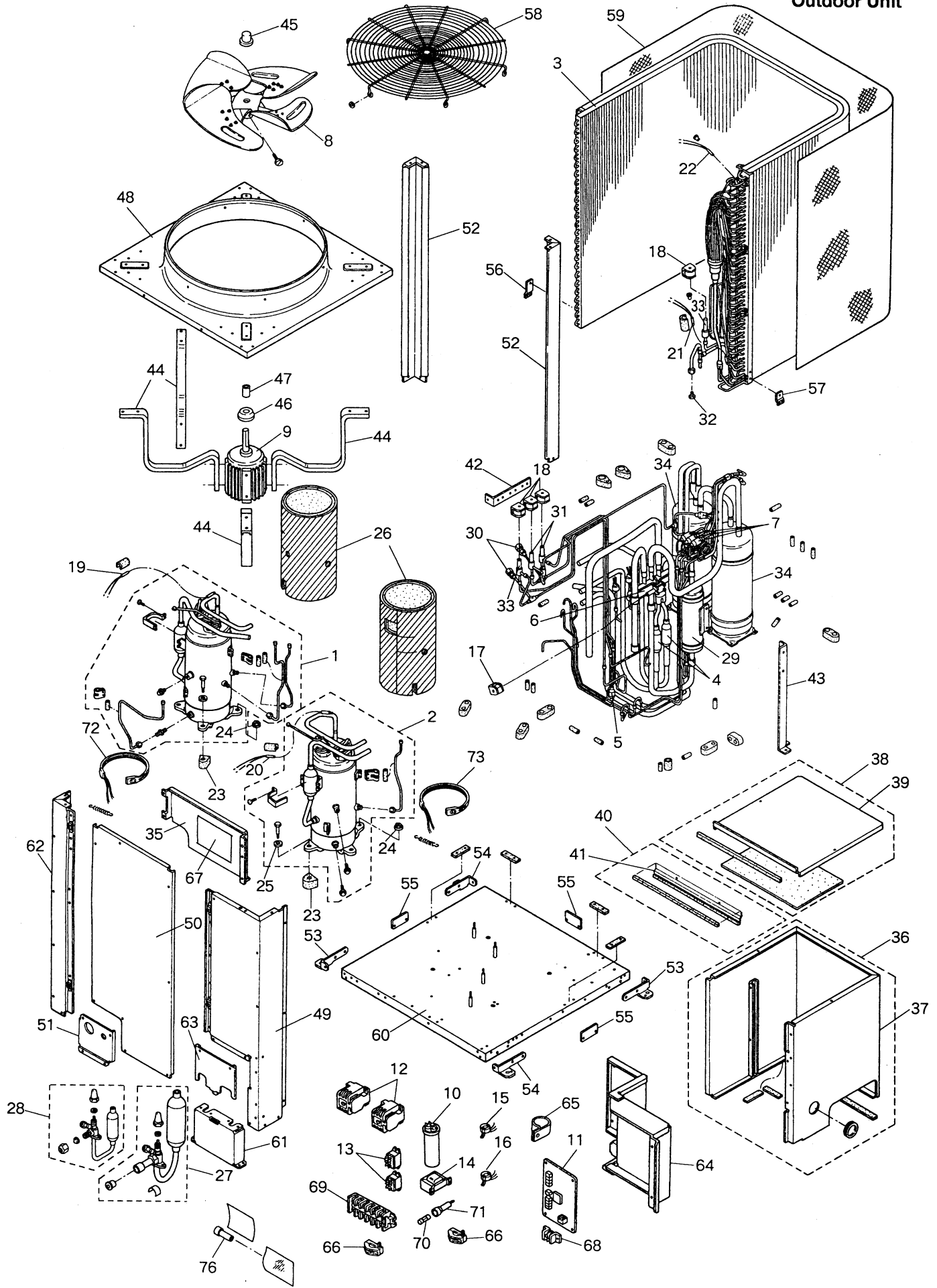
SPW-C903GYH8

OUTDOOR UNIT		APPLICABLE INDOOR UNIT	VOLT / ϕ / Hz
MODEL No.	PR. CODE No.	MODEL No.	
SPW - C703GYH8	854 011 28	SPW - K93·123·183GH56 SPW - AS93·123GH56 SPW - S93·123·183·253GH56 SPW - T183·253·363·483GH56	380-415 / 3 / 50
SPW - C903GYH8	854 011 29	SPW - X123·183·253·363·483GH56 SPW - U123·183·253·363·483GH56 SPW - D253·363·483GH56	

CONTENTS

- **EXPLODED VIEW** 2
 - Outdoor Unit
 - SPW-C703GYH8 2
 - SPW-C903GYH8 2
- **PARTS LIST** 3
 - Outdoor Unit
 - SPW-C703GYH8 3, 4
 - SPW-C903GYH8 5, 6
- **ELECTRIC WIRING DIAGRAM** 7

SPW-C703GYH8
 SPW-C903GYH8
 Outdoor Unit



ATTENTION !

To ensure correct parts supply, please let us know followings,
when you make service parts order:

1. Part No. 2. Description 3. Q' ty 4. Volts-Hz-Ph 5. Product Model No.

Key No.	Part No.	Description	Q' ty	Reference No.
* 1	638 011 1978	Compressor Ass'y C-5R373H8U	1	854-0-4525-11700
* 2	638 011 1985	Compressor Ass'y C-5R373H8C	1	854-0-4525-11900
* 3	638 011 2012	Heat Exchanger Ass'y	1	854-0-4119-31900
* 4	638 006 4168	Check Valve Ass'y	2	854-0-4518-17000
* 5	638 003 8169	Strainer Ass'y	1	854-0-4522-16100
* 6	638 005 8433	Reversing Valve	1	854-2-4508-12000
* 7	623 043 3984	Strainer Ass'y	3	852-0-4506-13300
* 8	638 000 9336	Propeller Fan Ass'y	1	826-0-2502-10101
* 9	638 011 2029	Fan Motor Ass'y KFS8T-201C3P	1	854-0-5202-11300
* 10	638 011 2036	Fixed Capacitor PMT 400V/17.5MF	1	4-2239-57191
* 11	638 011 2043	P. C. B. Ass'y CR-C703GYH	1	854-0-5178-08800
* 12	623 093 9509	Relay FMCA-1SZ607	2	4-2329-56465
* 13	638 010 7803	Power Relay HH62S/085	2	1FJ-4-S2A0-01300
* 14	638 011 2050	Transformer Ass'y ATR-I145	1	854-0-5263-04900
* 15	638 011 2067	Transformer Ass'y CT CL-3	1	854-0-5263-04500
* 16	638 011 2074	Transformer Ass'y CT CL-3	1	854-0-5263-04600
* 17	623 096 8264	Solenoid LB60012	1	4-2649-56196
* 18	638 011 1855	Elec Magnetic Coil NEV-MOAJ504B	4	1FJ-4-L8A0-02600
* 19	638 011 2081	Thermistor Ass'y PTC-51H	1	854-0-5259-15300
* 20	638 011 2098	Thermistor Ass'y PTC-51H	1	854-0-5259-15400
* 21	638 011 2104	Thermistor Ass'y PBC-41E-S36	1	854-0-5259-15500
* 22	638 011 2111	Thermistor Ass'y PBC-41E-S36	1	854-0-5259-15600
23	623 077 2533	Cushion Rubber	8	854-2-2318-12900
24	623 029 6497	Nut Special Ass'y	2	851-0-2395-10201
25	638 009 2796	Washer Special	4	854-2-1355-15401
26	638 011 2128	Insulation (Compressor)	2	854-2-2422-18000
27	638 011 2135	Valve Ass'y 1 in.	1	854-0-4508-19400
28	638 011 2142	Valve Ass'y 1/2 in.	1	854-0-4505-16400
29	623 127 5590	Oil Separator Ass'y	1	854-0-4523-10401
30	623 063 8280	Charge Port Ass'y	2	853-0-4514-80300
31	623 043 6107	Solenoid Valve Ass'y NEV202DXF	2	852-0-4509-10600
32	623 081 4554	Fusible Plug	1	854-2-4306-10600
33	623 043 6121	Solenoid Valve Ass'y NEV603DXF	1	852-0-4509-10800
34	638 011 2159	Accumulator Ass'y	2	854-0-4517-31301
35	638 011 2166	Cover Plate	1	854-2-1133-30000
36	638 011 2180	Cover Ass'y (incl No. 37)	1	854-0-2325-32900
37	638 011 2173	Cover Ass'y	1	854-0-2325-32400
38	638 011 2203	Cover Plate (incl No. 39)	1	854-2-2342-60200
39	638 011 2197	Cover Plate	1	854-2-2342-58301
40	638 011 2227	Cover Plate (incl No. 41)	1	854-2-2342-60300
41	638 011 2210	Cover Plate	1	854-2-2342-59501
42	638 011 2234	Mounting Plate	1	854-2-2361-24300
43	638 011 2241	Mounting Plate	1	854-2-4134-56200
44	638 011 2258	Support Motor Ass'y	4	854-0-2511-23201
45	623 078 3881	Cap	1	854-2-2346-10800
46	623 077 1024	Cover Plate	1	854-2-2307-11500
47	638 011 2265	Mounting Rubber, Tube	1	854-2-4315-27500
48	638 011 2272	Top Cover	1	854-2-1106-35301
49	638 011 2289	Side Panel Ass'y	1	854-0-1102-36501
50	638 011 2296	Front Panel	1	854-2-1101-77701

NOTE: Metal and plastic parts will be supplied basically
with necessary heat insulation pads or packing.
Each key number with an asterisk (*) means the
recommended service parts.

ATTENTION !

To ensure correct parts supply, please let us know followings,
when you make service parts order:

1. Part No. 2. Description 3. Q' ty 4. Volts-Hz-Ph 5. Product Model No.

Key No.	Part No.	Description	Q' ty	Reference No.
51	638 011 2302	Front Panel	1	854-2-1101-77901
52	638 011 2319	Side Panel	2	854-2-1102-52001
53	638 011 2326	Mounting Plate	2	854-2-2361-24701
54	638 011 2333	Mounting Plate	2	854-2-2361-24801
55	638 011 2340	Mounting Plate	3	854-2-4134-56001
56	638 011 2357	Mounting Plate	1	854-2-2361-24601
57	638 011 2364	Mounting Plate	1	854-2-2361-24501
58	638 011 2449	Guard Ass'y	1	854-0-1113-17001
59	638 011 2371	Guard	1	854-2-1113-18100
60	638 011 2388	Bottom Plate Ass'y	1	854-0-2204-49001
61	638 011 2395	Support Valve	1	854-2-4129-24201
62	638 011 2401	Side Panel Ass'y	1	854-0-1102-36401
63	638 011 2418	Cover Plate	1	854-2-2342-58401
64	638 011 2456	Elec. Component Box Ass'y	1	854-0-5301-65601
65	623 038 0349	Clip, Capacitor	1	851-2-5301-20901
66	638 011 2746	Clip, Wire	2	852-2-5304-16700
67	638 011 2470	Elec Wiring Diagram	1	854-2-5268-37300
68	623 127 5583	Terminal Base SE15A-2P	1	4-2379-56258
69	638 010 7810	Terminal Base SE15A-2P	1	1FJ-4-J3A0-01300
70	638 010 7827	Fuse 250V, 6.3A	1	1FJ-4-S3A0-00600
71	638 010 7834	Fuse, Holder	1	1FJ-4-J2A0-00300
72	638 011 3453	Crank Case Heater 240V, 32W	1	1FJ-4-H1C0-01200
*	638 011 2425	Capillary Tube	1	854-2-4231-90300
*	638 011 2500	Capillary Tube	1	854-2-4231-90100
*	638 011 2432	Capillary Tube	5	854-2-4231-89100
*	638 011 2517	Installation Instructions	1	854-6-4179-54400

NOTE: Metal and plastic parts will be supplied basically
with necessary heat insulation pads or packing.
Each key number with an asterisk (*) means the
recommended service parts.

ATTENTION !

To ensure correct parts supply, please let us know followings,
when you make service parts order:

1. Part No. 2. Description 3. Q' ty 4. Volts-Hz-Ph 5. Product Model No.

Key No.	Part No.	Description	Q' ty	Reference No.
* 1	638 011 1992	Compressor Ass'y C-5R433H8U	1	854-0-4525-11600
* 2	638 011 2005	Compressor Ass'y C-5R433H8A	1	854-0-4525-11800
* 3	638 011 2012	Heat Exchanger Ass'y	1	854-0-4119-31900
* 4	638 006 4168	Check Valve Ass'y	2	854-0-4518-17000
* 5	638 003 8169	Strainer Ass'y	1	854-0-4522-16100
* 6	638 005 8433	Reversing Valve	1	854-2-4508-12000
* 7	623 043 3984	Strainer Ass'y	3	852-0-4506-13300
* 8	638 000 9336	Propeller Fan Ass'y	1	826-0-2502-10101
* 9	638 011 2029	Fan Motor Ass'y KFS8T-201C3P	1	854-0-5202-11300
* 10	638 011 2036	Fixed Capacitor PMT 400V/17.5MF	1	4-2239-57191
* 11	638 011 2043	P. C. B. Ass'y CR-C703GYH	1	854-0-5178-08800
* 12	638 011 1862	Magnet Relay CLK-35JB-S20B	2	1FJ-4-S2B0-04700
* 13	638 010 7803	Power Relay HH62S/085	2	1FJ-4-S2A0-01300
* 14	638 011 2050	Transformer Ass'y ATR-I145	1	854-0-5263-04900
* 15	638 011 2067	Transformer Ass'y CT CL-3	1	854-0-5263-04500
* 16	638 011 2074	Transformer Ass'y CT CL-3	1	854-0-5263-04600
* 17	623 096 8264	Solenoid LB60012	1	4-2649-56196
* 18	638 011 1855	Elec Magnetic Coil NEV-MOAJ504B	4	1FJ-4-L8A0-02600
* 19	638 011 2081	Thermistor Ass'y PTC-51H	1	854-0-5259-15300
* 20	638 011 2098	Thermistor Ass'y PTC-51H	1	854-0-5259-15400
* 21	638 011 2104	Thermistor Ass'y PBC-41E-S36	1	854-0-5259-15500
* 22	638 011 2111	Thermistor Ass'y PBC-41E-S36	1	854-0-5259-15600
23	623 077 2533	Cushion Rubber	8	854-2-2318-12900
24	623 029 6497	Nut Special Ass'y	2	851-0-2395-10201
25	638 009 2796	Washer Special	4	854-2-1355-15401
26	638 011 2128	Insulation (Compressor)	2	854-2-2422-18000
27	638 011 2135	Valve Ass'y 1 in.	1	854-0-4508-19400
28	638 011 2142	Valve Ass'y 1/2 in.	1	854-0-4505-16400
29	623 127 5590	Oil Separator Ass'y	1	854-0-4523-10401
30	623 063 8280	Charge Port Ass'y	2	853-0-4514-80300
31	623 043 6107	Solenoid Valve Ass'y NEV202DXF	2	852-0-4509-10600
32	623 081 4554	Fusible Plug	1	854-2-4306-10600
33	623 043 6121	Solenoid Valve Ass'y NEV603DXF	1	852-0-4509-10800
34	638 011 2159	Accumulator Ass'y	2	854-0-4517-31301
35	638 011 2166	Cover Plate	1	854-2-1133-30000
36	638 011 2180	Cover Ass'y (incl No. 37)	1	854-0-2325-32900
37	638 011 2173	Cover Ass'y	1	854-0-2325-32400
38	638 011 2203	Cover Plate (incl No. 39)	1	854-2-2342-60200
39	638 011 2197	Cover Plate	1	854-2-2342-58301
40	638 011 2227	Cover Plate (incl No. 41)	1	854-2-2342-60300
41	638 011 2210	Cover Plate	1	854-2-2342-59501
42	638 011 2234	Mounting Plate	1	854-2-2361-24300
43	638 011 2241	Mounting Plate	1	854-2-4134-56200
44	638 011 2258	Support Motor Ass'y	4	854-0-2511-23201
45	623 078 3881	Cap	1	854-2-2346-10800
46	623 077 1024	Cover Plate	1	854-2-2307-11500
47	638 011 2265	Mounting Rubber, Tube	1	854-2-4315-27500
48	638 011 2272	Top Cover	1	854-2-1106-35301
49	638 011 2289	Side Panel Ass'y	1	854-0-1102-36501
50	638 011 2296	Front Panel	1	854-2-1101-77701

NOTE: Metal and plastic parts will be supplied basically
with necessary heat insulation pads or packing.
Each key number with an asterisk (*) means the
recommended service parts.

ATTENTION !

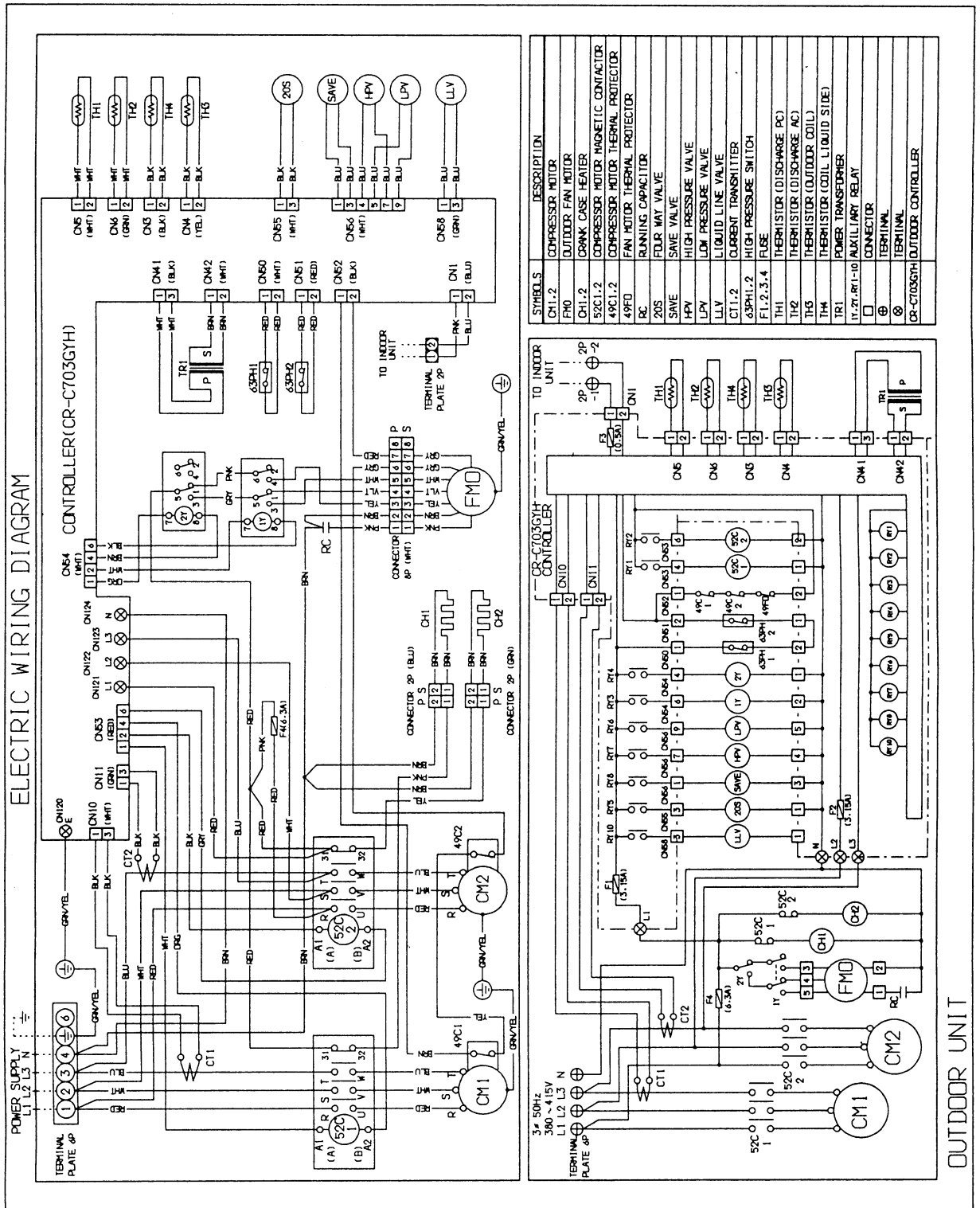
To ensure correct parts supply, please let us know followings,
when you make service parts order:

1. Part No. 2. Description 3. Q' ty 4. Volts-Hz-Ph 5. Product Model No.

Key No.	Part No.	Description	Q' ty	Reference No.
51	638 011 2302	Front Panel	1	854-2-1101-77901
52	638 011 2319	Side Panel	2	854-2-1102-52001
53	638 011 2326	Mounting Plate	2	854-2-2361-24701
54	638 011 2333	Mounting Plate	2	854-2-2361-24801
55	638 011 2340	Mounting Plate	3	854-2-4134-56001
56	638 011 2357	Mounting Plate	1	854-2-2361-24601
57	638 011 2364	Mounting Plate	1	854-2-2361-24501
58	638 011 2449	Guard Ass'y	1	854-0-1113-17001
59	638 011 2371	Guard	1	854-2-1113-18100
60	638 011 2388	Bottom Plate Ass'y	1	854-0-2204-49001
61	638 011 2395	Support Valve	1	854-2-4129-24201
62	638 011 2401	Side Panel Ass'y	1	854-0-1102-36401
63	638 011 2418	Cover Plate	1	854-2-2342-58401
64	638 011 2456	Elec. Component Box Ass'y	1	854-0-5301-65601
65	623 038 0349	Clip, Capacitor	1	851-2-5301-20901
66	638 011 2746	Clip, Wire	2	852-2-5304-16700
67	638 011 2470	Elec Wiring Diagram	1	854-2-5268-37300
68	623 127 5583	Terminal Base SE15A-2P	1	4-2379-56258
69	638 010 7810	Terminal Base SE15A-2P	1	1FJ-4-J3A0-01300
70	638 010 7827	Fuse 250V, 6.3A	1	1FJ-4-S3A0-00600
71	638 010 7834	Fuse, Holder	1	1FJ-4-J2A0-00300
72	638 011 3453	Crank Case Heater 240V, 32W	1	1FJ-4-H1C0-01200
*	638 011 2425	Capillary Tube	1	854-2-4231-90300
*	638 011 2500	Capillary Tube	1	854-2-4231-90100
*	638 011 2432	Capillary Tube	5	854-2-4231-89100
76	638 007 0480	Tube (Only use for -C903GYH8)	1	854-2-4229-99100
*	638 011 2517	Installation Instructions	1	854-6-4179-54400

NOTE: Metal and plastic parts will be supplied basically
with necessary heat insulation pads or packing.
Each key number with an asterisk (*) means the
recommended service parts.

ELECTRIC WIRING DIAGRAM



SANYO

SANYO Electric Co., Ltd.
Osaka, Japan

T0696 (A) 300 Printed in Japan